



For Use in CCO Written Examinations

LOAD CHART MANUAL

MOBILE CRANE INSPECTOR

These charts have been adapted from the original manufacturer's charts for use in CCO Written Examinations.

This supplement is not to be used for any other purpose.

Copyright 2011–2014 National Commission for the Certification of Crane Operators (NCCCO). All rights reserved. This document may not be reproduced in whole or in part without the express written permission of the manufacturer and the consent of NCCCO.

HOLD HARMLESS/RELEASE AGREEMENT

The user of this publication for and in consideration of the assistance, cooperation, and information provided by the National Commission for the Certification of Crane Operators (NCCCO) in this publication, *Crane Inspector Load Chart Manual*, the receipt of which is acknowledged, does hereby and for all future time release and hold harmless from any liability, and forever discharge for itself, its administrators and assigns the said NCCCO from all and any manner of action or demands whatsoever in law, in admiralty, or in equity, which against NCCCO anyone ever had, now have, or which shall later be claimed. This Agreement relates specifically to any cause of action arising out of the publication, information provided, subsequent conduct, and any use of the information provided in this publication and related uses or demonstrations of skills, methods, and techniques cited in the publication. This mutually beneficial release and hold-harmless agreement may not be changed orally and exists in perpetuity. This publication is issued solely as a public service to improve the lifting industry and promote public safety.

NO WARRANTY

Information and materials provided in this *Crane Inspector Load Chart Manual* are provided “as is” without warranty of any kind, either express or implied, including without limitation warranties of merchantability, fitness for a particular purpose, and non-infringement. NCCCO specifically does not make any warranties or representations as to the accuracy or completeness of any such information and materials. Under no circumstances shall NCCCO be liable for any loss, damage, liability, or expense incurred or suffered which is claimed to have resulted from use of this publication, including without limitation, any fault, error, omission, interruption, or delay with respect thereto. Use of this publication is at user’s sole risk. Under no circumstances, including, but not limited to, negligence, shall NCCCO be liable for any direct, indirect, incidental, special, or consequential damages, even if NCCCO has been advised of the possibility of such damages.

Copyright 2011–2014 by the National Commission for the Certification of Crane Operators. All rights reserved. No part of this book may be reproduced or transmitted in any form or by any means, electronic or mechanical, including photocopying, recording, or by any information storage and retrieval system, without prior written permission from the publisher. For information, contact the publisher, the National Commission for the Certification of Crane Operators, at info@nccco.org.



Table of Contents

LOAD CHARTS FOR USE IN CCO WRITTEN EXAMINATIONS

- 1. MANITEX (Boom Truck)**
Telescopic Boom Crane—Fixed Cab (TSS)
- 2. GROVE (Truck Mount)**
Telescopic Boom Crane—Swing Cab (TLL)
- 3. LINK-BELT (Truck Mount)**
Lattice Boom Truck Crane (LBT)



For Use in CCO Written Examinations

MANITEX (Boom Truck)
TELESCOPIC BOOM CRANE—FIXED CAB (TSS)
BOOM TRUCK—FIXED CAB (BTF)

These charts have been adapted from the original manufacturer's charts for use in CCO Written Examinations.

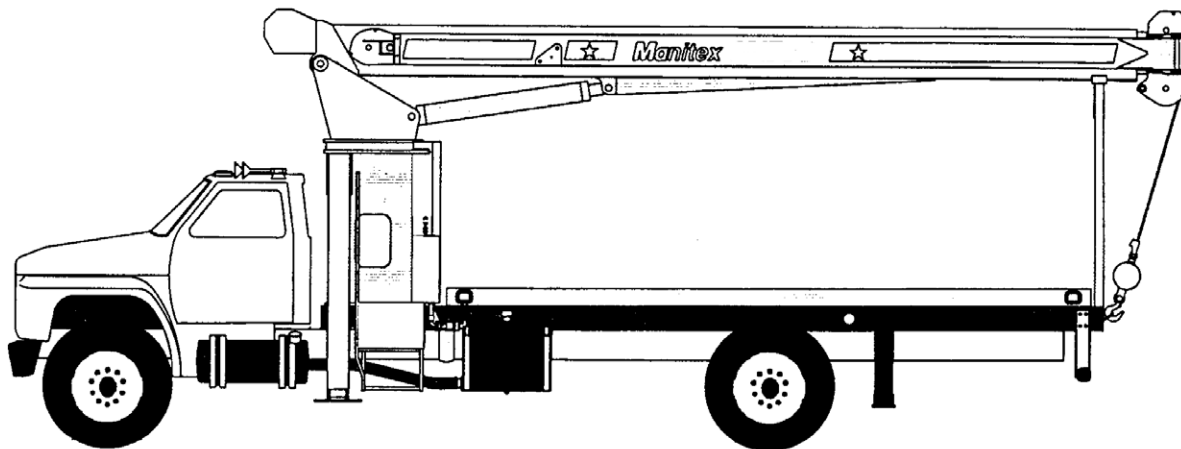
This supplement is not to be used for any other purpose.

Copyright 2011–2014 National Commission for the Certification of Crane Operators (NCCCO). All rights reserved. This document may not be reproduced in whole or in part without the express written permission of the manufacturer and the consent of NCCCO.



Millennium Series™

General Specifications



Model shown with optional jib.

STANDARD EQUIPMENT

- 2-Speed planetary hoist.
- 5-Ton (4.5 mt) hook and ball.
- 2 Sheave boom point.
- Anti-two-block shutoff.
- Boom hoist cylinder.
- System pressure gauge.
- 70-Gallon (265-liter) hydraulic reservoir.
- Removable boom rest.
- Finish paint in ManiteX colors.
- Engine start/stop.
- Operator/service/parts manuals.
- 3-Section Telescopic boom 26' to 68' (7.93 m to 20.73 m).
- 260 Feet (79.25m) of 9/16" (14.3 mm) EIPS IWRC wire rope.
- 372° Non-continuous rotation.
- Pedestal, turret, rotation bearing and swing system
- Dual operator control stations.
- Hydraulic capacity alert warning system (HYCAS) - audio.
- Audible outrigger/stabilizer motion alarm.
- A-frame link type outriggers.
- A-frame rear stabilizer.
- 3-Section vane type hydraulic pump.
- Signal horn.
- 18-Foot (5.49m) Subframe.

STANDARD SPECIFICATIONS AND FEATURES

BOOM — 26' To 68' (7.93m to 20.73m). Inverted-T cross section. 3-Section telescoping type, extended and retracted proportionally by double-acting hydraulic cylinder and cable-crowd system. Maximum tip height 79' (24.09m).

BOOM POINT — Two high-density nylon sheaves mounted on heavy-duty roller bearings. Two removable pin-type rope guards.

HOIST — Maximum theoretical line speed 247 fpm (75.29 mpm). Maximum theoretical bottom-layer line pull 12,000 lb (5,443 kg). Two-speed planetary reducer. Spring-applied, pressure-released internal brake.

WIRE ROPE — 260' (79.25m) of 9/16" (14.29mm) diameter 6 x 25 EIPS IWRC.

BOOM ELEVATION — Double-acting hydraulic cylinder. Working range from 13° below horizontal to 80° above.

SWING SYSTEM — Externally mounted, double-reduction planetary driven by hydraulic motor. Maximum theoretical swing speed 1.80 rpm. Wet multi-disc internal brake is spring applied, pressure released. Oversized diameter ball bearing swing circle with external gear. 372° Non-continuous rotation.

OUTRIGGERS — 20'10" (6.13m) Extended. A-frame link type. Operated independently for precise leveling. Equipped with double-acting hydraulic cylinders. 16" x 20" (406mm x 508mm) Pivoting pads. 8 1/2" (215.9mm) Maximum rise.

A-FRAME STABILIZERS — 8' (2.44m) Retracted; 10' (3.05m) extended. Operated independently for precise leveling. Double-acting hydraulic cylinders. 8" x 11" (203mm x 279mm) fixed pads. 9" (229mm) Maximum rise.

SUBFRAME — Torsionally resistant, rigid 4-plate design. Mounted under crane full length of truck frame.

REAR UNDERRIDE PROTECTION — Supplied on factory mounted cranes. Fabricated structure mounted under rear of bed.

BACK-UP ALARM — Supplied on factory-mounted cranes. Electronic audible motion alarm activated when truck transmission is in reverse gear.

MOUNTING — Pedestal and subframe are mounted to chassis by threaded rods and clamp plates. No welding, drilling, or bolting to truck.

CONTROL SYSTEM — Dual operator stations are equipped with four single-lever crane controls arranged to ANSI B30.5 standards. Fully proportional control valves and system pressure gauge. Each station also includes outrigger and stabilizer controls, engine start/stop, foot throttle, signal horn, capacity light indication, boom-angle indicator, bubble levels, load chart and range diagram.

HYDRAULIC SYSTEM — A 3-section vane pump direct mounted to power take-off on truck transmission provides 35 gpm (133 lpm) to the hoist, 8 gpm (30 lpm) to the swing circuit and 18 gpm (68 lpm) to other crane functions. 70-Gallon (265-liter) baffled reservoir includes 10-micron filter in the re-

turn line. Extensive use of SAE O-ring and face seal O-ring hydraulic fittings.

HYDRAULIC CYLINDERS — All are equipped with integral holding valves.

BOOM REST — Heavy-duty fabrication. Easily removed to simplify loading and unloading.

LOAD HOOK — 5-Ton (4.5-mt) capacity hook with heavy-duty swivel and weight is provided for single-line operation.

HYDRAULIC CAPACITY ALERT SYSTEM (HYCAS) — Hydraulically senses boom hoist cylinder pressures and indicates an overload condition with an audible alarm. Optional shutdown prevents continuing overload.

ANTI-TWO-BLOCK SYSTEM — Audible warning and shutoff functions prevent hook from contacting boom point.

ELECTRICAL — 12-Volt direct current. Environmentally sealed enclosure contains accessory circuit, terminal strips and relays. In-line fuse.

DESIGN/WELDING — Design conforms to ANSI B30.5. Welding conforms to AWS D1.1.

MANUALS — Operator, service and parts manuals depict correct crane operation, maintenance procedures and parts listing.

WARRANTY — 12-Month warranty covers parts and labor resulting from defects in material or workmanship.

OPTIONS

ELECTRONIC CAPACITY ALERT SYSTEM

(ECAS) — Electronically senses boom hoist cylinder pressures. Color-coded gauge at each operator station and audible alarm indicate approaching overload. Optional shutdown system hydraulically prevents continuing overload.

FIXED SWING-AROUND JIB — 23' (7.01m)

Fixed length, stows along boom base. Maximum tip height 101' (30.79m).

TELESCOPIC SWING-AROUND JIB —

Working lengths 23' (7.01m) and 40' (12.19m). Stows along boom base. Telescopic section stows inside jib base. Manually pinned in retracted or extended position. Maximum tip height 118' (35.97m).

H-STYLE STABILIZERS — Two vertical double-acting hydraulic cylinders - 18" (457.2mm) stroke with 12" (304.8mm) diameter pivoting pads.

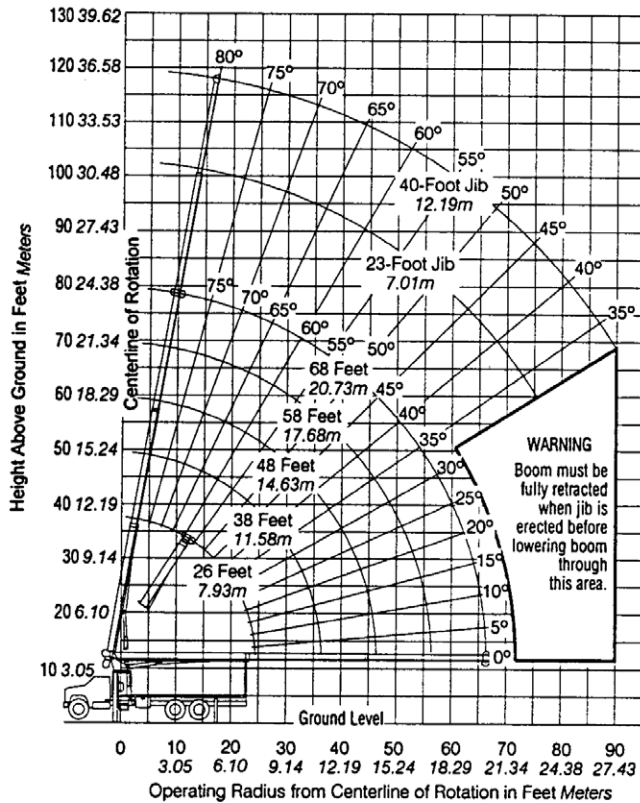
BED — Choice of 8' x 14' to 20' lengths (2.44m x 4.27m to 6.10m). Deck of high density hardwood or diamond steel tread plate. Cross sills on 12" (305mm) centers. Bolts to subframe.

- 9/16" (14.3mm) rotation-resistant wire rope.
- Hook blocks for 2- to 4-part load line.
- Hanger sheave for 3- or 4-part line.
- Aerial baskets, 1- or 2-person.
- Top mounted work platform.
- Radio remote-control operation.
- Front-bumper stabilizer for 360° operation.
- Hydraulic swivel for continuous rotation.
- Capacity overload shutdown system.
- Dunnage/tool boxes.
- Air throttle.
- Various mountings.
- Special paint.
- Roofing application.
- Hydraulic hose reel.
- Oil cooler for duty-cycle applications.

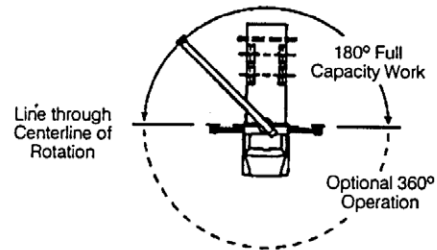
OPERATOR ASSIST FEATURES

- Anti-Two-Block Warning and Shutoff
 - Capacity-Alert System, Audio Warning
 - Load Chart/Range Diagram
 - Boom-Angle Indicator
 - Audible Outrigger/Stabilizer Motion Alarm
 - Engine Start/Stop
 - Signal Horn
 - Back-Up Alarm
-

Manitex Range Diagram



AREA OF OPERATION



WEIGHTS

Total crane, including hydraulic fluid.....	13,900 lb.....	6,305 kg
23' (7.01m) Fixed length jib.....	545 lb.....	247 kg
40' (12.19m) Telescopic jib.....	820 lb.....	372 kg
15-Ton (13.6-mt) single-sheave block.....	260 lb.....	118 kg
20-Ton (18.1-mt) double-sheave block.....	350 lb.....	159 kg
Hanger sheave for 3- and 4-part line.....	50 lb.....	23 kg
20'4" (6.20m) steel or wood bed.....	1,900 lb.....	862 kg

DEDUCTIONS

Auxiliary Block.....	50 lb.....	22.68 kg
Overhaul Ball.....	120 lb.....	54.43 kg
Single-Sheave Load Block.....	260 lb.....	117.93 kg
Double-Sheave Load Block.....	350 lb.....	158.76 kg
Hose Reel.....	190 lb.....	86.18 kg

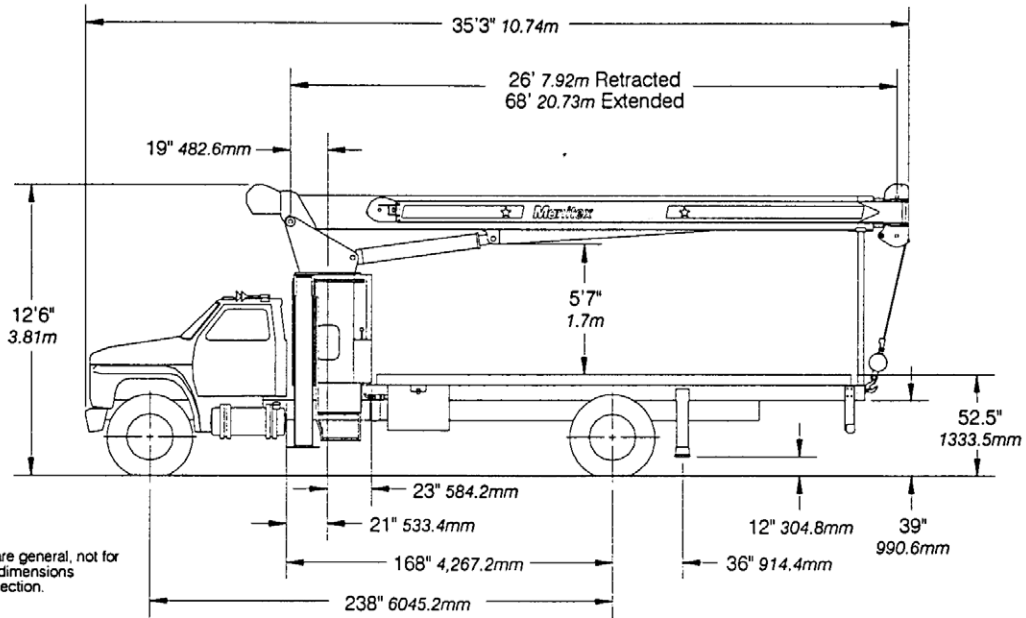
Swing-Around Jib (Stowed) See Load Rating Chart

WARNING

Lifting off the main boom point while the swing-around jib is erected is not intended or approved.

ALLOWABLE LINE PULL				WARNING
1 PART LINE	2 PART LINE	3 PART LINE	4 PART LINE	
				<p>Anti-Two-Block system must be in good operating condition before operating crane. Refer to Owner's Manual.</p> <p>Keep at least three wraps on load line on drum at all times.</p>
8500 lb 3856 kg	17000 lb 7711 kg	25500 lb 11567 kg	34000 lb 15422 kg	
7400 lb 3357 kg	14800 lb 6313 kg	22200 lb 10070 kg	29600 lb 13426 kg	<p>9/16" (14.29 mm) 6x25 IWRC (3.5:1 SF). 29750 lb (13494 kg) Minimum breaking strength.</p> <p>9/16" (14.29 mm) Rot resistant (5.0:1 SF). 37000 lb (16783 kg) Minimum breaking strength.</p>

OUTLINE DIMENSIONS



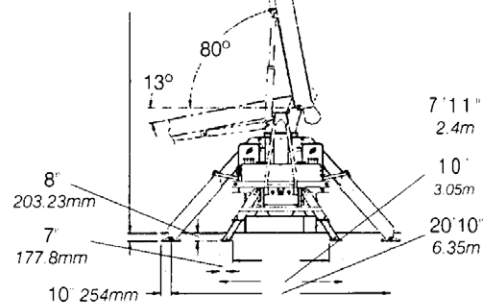
TRUCK CHASSIS DATA

Minimum Requirements

Some configurations and options may increase requirements

Wheelbase.....	238 In.....	6,045mm
Cab to Axle.....	168 In.....	4,267mm
Frame Section Modulus.....	18 In ³	3,295cc
	50,000 psi.....	344,750 kPa
Frame Section Modulus.....	15.9 In ³	260cc
	110,000 psi.....	758,450 kPa
Nominal Frame Width.....	34 In.....	864mm
Front Axle Gross Weight Rating.....	12,000 lb.....	5,443 kg
Rear Axle Gross Weight Rating.....	21,000 lb.....	9,525 kg

36'5 11.10m Retracted
 79' 24.08m Extended
 118' 35.97m Jib Extended



Manitex Inc.

P.O. Box 1609 ■ Georgetown, TX 78627-1609 ■ Tel (512) 942-3000 ■ Fax (512) 863-3776

Due to continuing improvements, Manitex reserves the right to change product specifications without notice.



LOAD RATINGS IN LBS WITH OUTRIGGERS AND STABILIZERS EXTENDED											JIB LOAD RATINGS WITH OUTRIGGERS AND STABILIZERS EXTENDED					
OPERATING RADIUS FEET	LOADED BOOM ANGLE		BOOM LENGTH	BASE							OPERATING RADIUS FEET	BOOM ANGLE	23 FT. JIB FOR ALL BOOM LENGTHS SEE WARNING NOTE*	BOOM ANGLE	40 FT. JIB FOR ALL BOOM LENGTHS SEE WARNING NOTE*	
	∠	26 FT		∠	38 FT	∠	48 FT	∠	58 FT	∠						68 FT
	∠	26 FT		∠	38 FT	∠	48 FT	∠	58 FT	∠						68 FT
5	77	34000														
8	70	24000	77	21500												
10	66	20110	74	18460	78	14600						10				
12	61	17360	71	16010	76	12680	79	11810				12				
15	52	14310	66	13320	72	10500	76	9830	78	9200		15				
20	36	10490	57	10350	65	8160	70	7690	74	7280		20	78	3500		
25			47	8310	58	6570	65	6240	70	5910		25	75	3060	78	1940
30			36	6610	51	5420	59	5200	65	4940		30	72	2700	75	1690
35			17	4560	42	4470	53	4390	60	4200		35	69	2400	72	1490
40					32	3580	47	3720	55	3610		40	65	2150	70	1320
45					16	2380	39	3120	50	3110		45	62	1950	67	1180
50							29	2500	43	2670		50	58	1770	64	1060
55							15	1610	36	2240		55	55	1550	61	960
60									28	1780		60	50	1350	58	870
65									14	1400		65	46	1160	55	790
70												70	41	1010	51	730
75												75	36	830	48	670
80												80			44	610
85												85			40	570
90												90			35	520
95												95				
100												100				
		480 LBS.	330 LBS.	260 LBS.	220 LBS.	190 LBS.	DEDUCTIONS FOR STOWED JIB									

WARNING

1. THE OPERATOR MUST READ AND UNDERSTAND THE OWNER'S MANUAL BEFORE OPERATING THIS CRANE.
2. POSITIONING OR OPERATION OF CRANE BEYOND AREAS SHOWN ON THIS CHART IS NOT INTENDED OR APPROVED EXCEPT WHERE SPECIFIED IN OWNER'S MANUAL.
3. LOADED BOOM ANGLES AT SPECIFIED BOOM LENGTHS GIVE ONLY AN APPROXIMATION OF THE OPERATING RADIUS. THE BOOM ANGLE BEFORE LOADING SHOULD BE GREATER TO ACCOUNT FOR DEFLECTIONS. DO NOT EXCEED THE OPERATING RADIUS FOR RATED LOADS.
4. THE OPERATING RADIUS SHOWN IN THE JIB RATING CHART IS FOR FULLY EXTENDED BOOM ONLY. WHEN BOOM IS NOT FULLY EXTENDED, USE ONLY LOADED BOOM ANGLE TO DETERMINE LOAD RATING OF JIB. DO NOT RELY ON CAPACITY ALERT SYSTEM WHEN LIFTING FROM JIB.
5. BOOM MUST BE FULLY RETRACTED WHEN JIB IS ERECTED, BEFORE LOWERING BOOM THRU THIS AREA.
6. FOR BOOM ANGLES NOT SHOWN ON JIB LOAD RATING CHART, USE RATING OF NEXT LOWER BOOM ANGLE.
7. FOR BOOM LENGTHS NOT SHOWN, USE RATING OF NEXT LONGER BOOM LENGTH. FOR RADII NOT SHOWN, USE RATING OF NEXT LONGER RADIUS.
8. CRANE LOAD RATINGS ON OUTRIGGERS ARE BASED ON FREELY SUSPENDED LOADS WITH THE MACHINE LEVELED AND STANDING ON A FIRM UNIFORM SUPPORTING SURFACE. NO ATTEMPT SHALL BE MADE TO MOVE A LOAD HORIZONTALLY ON THE GROUND IN ANY DIRECTION.
9. PRACTICAL WORKING LOADS DEPEND ON SUPPORTING SURFACE, WIND, AND OTHER FACTORS AFFECTING STABILITY SUCH AS HAZARDOUS SURROUNDINGS, EXPERIENCE OF PERSONNEL, AND PROPER HANDLING, ALL OF WHICH MUST BE TAKEN INTO ACCOUNT BY THE OPERATOR.
10. THE MAXIMUM LOAD WHICH MAY BE TELESCOPED IS LIMITED BY HYDRAULIC PRESSURE, BOOM ANGLE, AND BOOM LUBRICATION. IT IS SAFE TO ATTEMPT TO TELESCOPE ANY LOAD WITHIN THE LIMITS OF THE LOAD RATING CHART.

INFORMATION

1. DEDUCTIONS MUST BE MADE FROM RATED LOADS FOR STOWED JIB, OPTIONAL ATTACHMENTS, HOOKS, AND LOAD BLOCKS (SEE DEDUCTION CHART). WEIGHTS OF SLINGS, WIRE ROPE, AND ALL OTHER LOAD HANDLING DEVICES SHALL BE CONSIDERED A PART OF THE LOAD; DO NOT DEDUCT FROM RATED LOAD.
2. CRANE LOAD RATINGS WITH OUTRIGGERS ARE BASED ON OUTRIGGERS AND STABILIZERS EXTENDED AND SET WITH MACHINE LEVELED.
3. LOAD RATINGS ABOVE THE HEAVY LINE ARE STRUCTURALLY LIMITED CAPACITIES. LOAD RATINGS BELOW THE HEAVY LINE ARE STABILITY LIMITED CAPACITIES AND DO NOT EXCEED 85% OF TIPPING.

DEFINITIONS

1. OPERATING RADIUS IS THE HORIZONTAL DISTANCE FROM THE AXIS OF ROTATION TO THE CENTER OF THE VERTICAL HOIST LINE OR TACKLE WITH LOAD APPLIED.
2. LOADED BOOM ANGLE AS SHOWN IN THE COLUMN HEADED BY ∠, IS THE INCLUDED ANGLE BETWEEN THE HORIZONTAL AND LONGITUDINAL AXES OF THE BOOM BASE AFTER LIFTING RATED LOAD AT RATED RADIUS.



For Use in CCO Written Examinations

GROVE (Truck Mount)
TELESCOPIC BOOM CRANE—SWING CAB (TLL)

These charts have been adapted from the original manufacturer's charts for use in CCO Written Examinations.

This supplement is not to be used for any other purpose.

Copyright 2011–2014 National Commission for the Certification of Crane Operators (NCCCO). All rights reserved. This document may not be reproduced in whole or in part without the express written permission of the manufacturer and the consent of NCCCO.

NOTES FOR LIFTING CAPACITIES

GENERAL:

1. Rated loads as shown on lift chart pertain to this machine as originally manufactured and equipped. Modifications to the machine or use of optional equipment other than that specified can result in a reduction of capacity.
2. Construction equipment can be hazardous if improperly operated or maintained. Operation and maintenance of this machine shall be in compliance with the information in the Operator's and Safety Handbook, Service Manual, and Parts Manual supplied with this machine. If these manuals are missing, order replacements from the manufacturer through the distributor.
3. The operator and other personnel associated with machine shall fully acquaint themselves with the latest American National Standards Institute (ANSI) Safety Standards for cranes.

SETUP:

1. The machine shall be leveled on a firm supporting surface. Depending on the nature of the supporting surface, it may be necessary to have structural supports under the outrigger floats or tires to spread the load to a larger bearing surface.
2. For outrigger operation, outriggers shall be properly extended with tires raised free of crane weight before operating the boom or lifting loads.
3. If machine is equipped with front jack cylinder, the front jack cylinder shall be set in accordance with written procedure.
4. When equipped with extendable counterweight, the counterweight shall be fully extended before operation.
5. Tires shall be inflated to the recommended pressure before lifting on rubber.
6. With certain boom and hoist tackle combinations, maximum capacities may not be obtainable with standard cable lengths.
7. Do not travel with crane boom extension or jib erected.

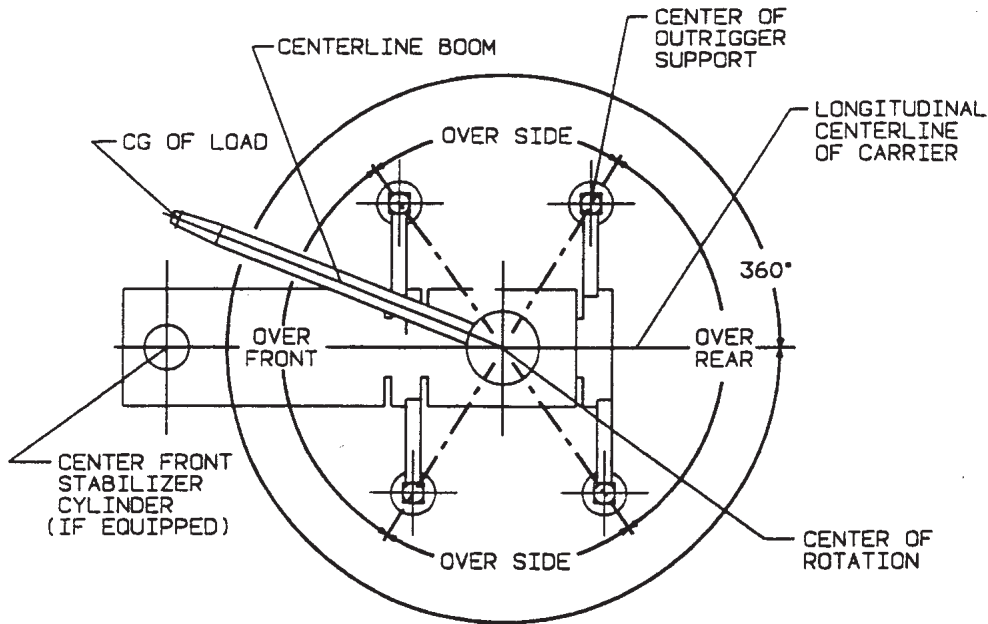
OPERATION:

1. Rated loads at rated radius shall not be exceeded. Do not tip the machine to determine allowable loads. For clamshell or concrete bucket operation, weight of bucket and load must not exceed 80% of rated lifting capacities.
2. All rated loads have been tested to and meet minimum requirements of SAE J1063 OCT80 – Cantilevered Boom Crane Structures – Method of Test, and do not exceed 85% of the tipping load on outriggers fully and 50% extended, and 75% of the tipping load on outriggers 0% extended (fully retracted) as determined by SAE J765 OCT80 Crane Stability Test Code.
3. Rated loads include the weight of hookblock, slings and auxiliary lifting devices and their weights shall be subtracted from the listed rating to obtain the net load to be lifted. When more than the minimum required hoist reeving is used, the additional rope weight shall be considered part of the load to be handled.
4. Load ratings are based on freely suspended loads. No attempt shall be made to move a load horizontally on the ground in any direction.
5. Rated loads do not account for wind on lifted load or boom. It is recommended when wind velocity is above 20 m.p.h. (32km/h), rated loads and boom lengths shall be appropriately reduced.
6. Rated loads are for lift crane service only.
7. Do not operate at a radius or boom length where capacities are not listed. At these positions, the machine may overturn without any load on the hook.
8. The maximum load which can be telescoped is not definable because of variations in loadings and crane maintenance, but it is safe to attempt retraction and extension within the limits of the capacity chart.
9. When either boom length or radius or both are between values listed, the smallest load shown at either the next larger radius or next longer or shorter boom length shall be used.
10. For safe operation, the user shall make due allowances for his particular job conditions, such as: soft or uneven ground, out of level conditions, high winds, side loads, pendulum action, jerking or sudden stopping of loads, hazardous conditions, experience of personnel, two machine lifts, traveling with loads, electric wires, etc. Side pull on boom or jib is extremely dangerous.
11. If machine is equipped with individually controlled powered boom sections, the boom sections must be extended equally at all times.
12. Never handle personnel with this machine without written approval from Grove North America.
13. Keep load handling devices a minimum of 18 inches (45.7 cm) below boom head at all times.
14. The boom angle before loading should be greater than the loaded boom angle to account for deflection.
15. Capacities appearing above the bold line are based on structural strength and tipping should not be relied upon as a capacity limitation.
16. Capacities for the 35 ft. (10.6 m.) boom length shall be lifted with boom fully retracted. If boom is not fully retracted, capacities shall not exceed those shown for the 40 ft. (12.2m) boom length.
17. When lifting over front of machine, radii less than 35 ft. (12m.) not recommended.
18. When operating the machine in the "On Outriggers 50% Extended (13' 10" spread)" mode, the outrigger beam pins must be engaged. When operating the machine in the "On Outriggers 0% Extended (7' 8" spread)" mode, the outrigger beams must be fully retracted. Failure to follow these precautions could result in structural damage or loss of stability of the machine.
19. The maximum outrigger pad load is 59,044 pounds (26,782 kg).

DEFINITIONS:

1. Operating Radius: Horizontal distance from a projection of the axis of rotation to the supporting surface before loading to the center of the vertical hoist line or tackle with load applied.
2. Loaded Boom Angle (Shown in Parenthesis on Main Boom Capacity Chart): is the angle between the boom base section and the horizontal, after lifting the rated load at the rated radius with the rated boom length.
3. Working Area: Areas measured in a circular arc about the center line of rotation as shown on the working area diagram.
4. Freely Suspended Load: Load hanging free with no direct external force applied except by the lift cable.
5. Side Load: Horizontal force applied to the lifted load either on the ground or in the air.

Grove (Truck Mount) Telescopic Boom Crane—Swing Cab (TLL)



BOLD LINES DETERMINE THE LIMITING POSITION OF ANY LOAD FOR OPERATION WITHIN WORKING AREAS INDICATED

WORKING AREA DIAGRAM

LINE PULLS AND REEVING INFORMATION

HOISTS	CABLE SPECS.	PERMISSIBLE LINE PULLS
Main & Aux. Model 30	3/4" (19 mm) 18x19 Class or 35x7 Rotation Resistant Min. Breaking Str. 64,600 lbs.	12,920 lbs.

WEIGHT REDUCTIONS FOR LOAD HANDLING DEVICES

32 FT. FIXED BOOM EXTENSION WITH 35 FT. - 110 FT. BOOM	
*Stowed –	267 lbs.
*Erected –	4,250 lbs.
32 - 56 FT. TELE BOOM EXTENSION WITH 35 FT. - 110 FT. BOOM	
*Stowed –	293 lbs.
*Erected (RETRACTED) –	6,368 lbs.
*Erected (EXTENDED) –	8,460 lbs.

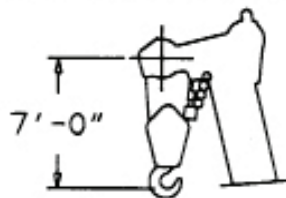
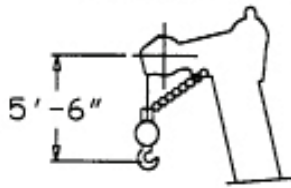
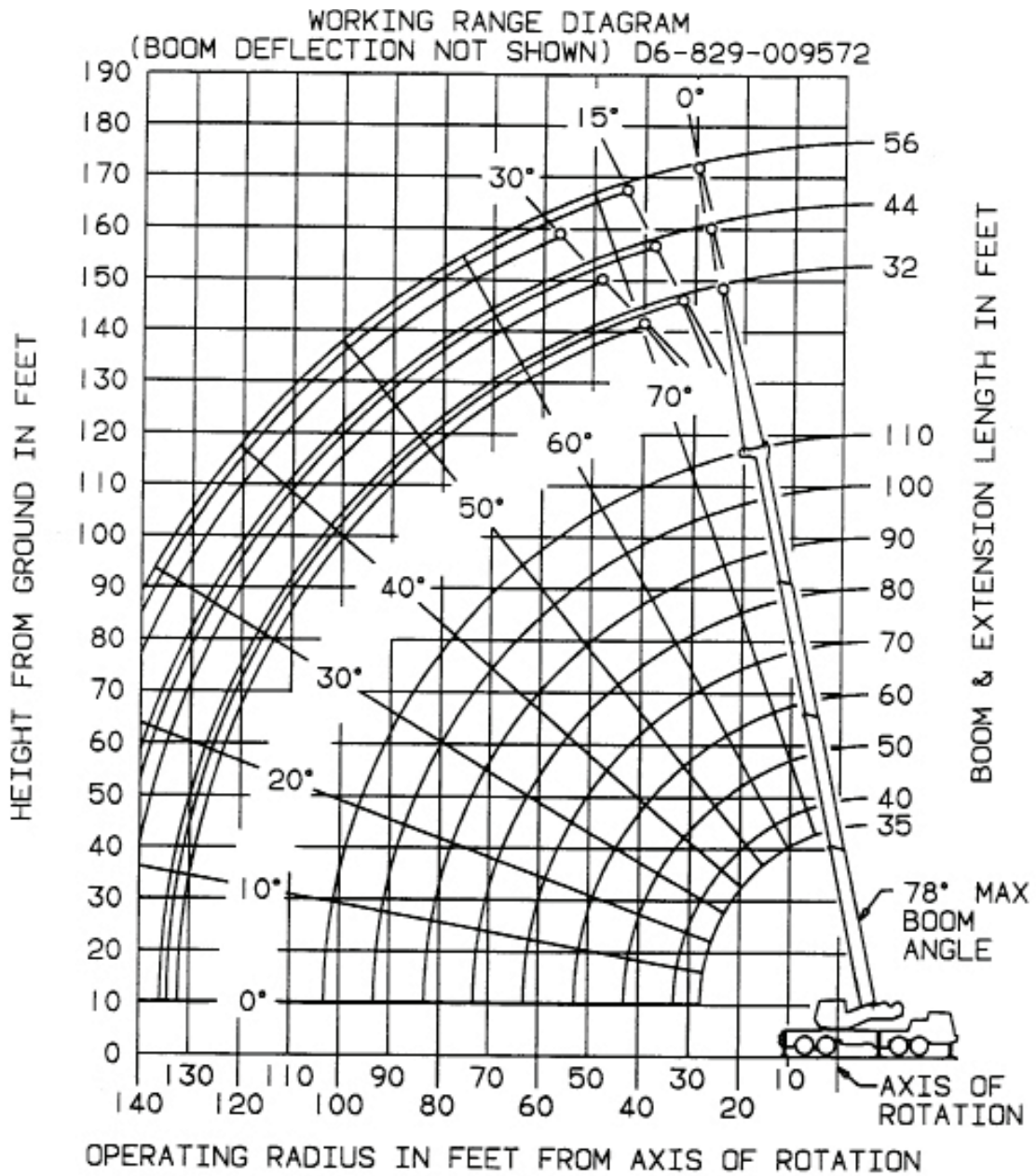
*Reduction of main boom capacities

When lifting over swingaway and / or jib combinations, deduct total weight of all load handling devices reeved over main boom nose directly from swingaway or jib capacity.

AUXILIARY BOOM HEAD	143 lbs.
HOOKBLOCKS and HEADACHE BALLS:	
50 Ton, 4 Sheave	1,285 lbs.+
45 Ton, 3 Sheave w/cheekplates	1,095 lbs.+
45 Ton, 3 Sheave w/o cheekplates	895 lbs.+
15 Ton, 1 Sheave	380 lbs.+
7.5 Ton Headache Ball	338 lbs.+
10 Ton Headache Ball	560 lbs.+

+Refer to rating plate for actual weight.

NOTE: All load handling devices and boom attachments are considered part of the load and suitable allowances **MUST BE MADE** for their combined weights. Weights are for Grove furnished equipment.



DIMENSIONS ARE FOR LARGEST GROVE FURNISHED HOOK BLOCK AND HEADACHE BALL, WITH ANTI-TWO BLOCK ACTIVATED.

RATED LIFTING CAPACITIES IN POUNDS WITH 7800 LB. REMOVABLE COUNTERWEIGHT 35 FT. - 110 FT. BOOM

ON OUTRIGGERS FULLY EXTENDED - 360°

Radius in Feet	#0001								
	Main Boom Length in Feet								
	35	40	50	*60	70	80	90	100	110
9	90,000 (67.5)								
10	80,000 (66)	68,000 (69.5)	58,150 (74)						
12	67,400 (62)	63,800 (66)	55,450 (71.5)	44,600 (75)					
15	58,050 (56)	54,700 (61)	48,050 (67.5)	42,250 (71.5)	35,600 (74.5)	33,000 (77)			
20	44,950 (44.5)	43,000 (52)	39,400 (61)	33,600 (66.5)	30,500 (70.5)	28,000 (73.5)	25,500 (75.5)	23,300 (77.5)	
25	35,200 (28.5)	35,050 (41.5)	32,400 (54)	27,750 (61)	25,200 (66)	23,800 (69.5)	22,000 (72)	20,400 (74.5)	18,500 (76)
30		28,400 (27)	27,150 (46)	23,350 (55)	21,100 (61)	20,400 (65.5)	19,300 (68.5)	17,550 (71.5)	15,750 (73.5)
35			21,650 (36.5)	20,000 (49)	18,050 (56)	17,400 (61.5)	16,400 (65)	15,200 (68)	13,650 (70.5)
40	See Note 16		17,200 (24)	16,850 (41.5)	15,650 (50.5)	15,050 (57)	14,150 (61.5)	13,300 (65)	12,000 (68)
45				13,350 (33)	13,600 (45)	13,200 (52.5)	12,350 (57.5)	11,550 (61.5)	10,600 (65)
50				10,650 (21.5)	11,450 (38.5)	11,600 (47.5)	10,850 (53.5)	10,100 (58.5)	9,500 (62)
55					9,400 (31)	10,000 (42)	9,630 (49.5)	8,950 (54.5)	8,470 (58.5)
60					7,760 (20)	8,300 (36)	8,570 (45)	7,950 (51)	7,500 (55.5)
65						6,900 (29)	7,340 (40)	7,080 (47)	6,670 (52)
70						5,740 (19)	6,190 (34)	6,330 (42.5)	5,940 (48.5)
75							5,220 (27.5)	5,550 (38)	5,300 (45)
80							4,380 (18)	4,720 (32.5)	4,740 (40.5)
85								4,000 (26)	4,230 (36)
90								3,380 (17)	3,625 (31)
95									3,060 (25)
100									2,570 (16)
Minimum boom angle (deg.) for indicated length (no load)									0
Maximum boom length (ft.) at 0 degree boom angle (no load)									110

NOTE: () Boom angles are in degrees.

#LMI operating code. Refer to LMI manual for instructions.

Lifting Capacities On Outriggers Fully Extended - 360° At Zero Degree Boom Angle									
Boom Angle	Main Boom Length in Feet								
	35	40	50	*60	70	80	90	100	110
0*	15,500 (27.8)	12,240 (33)	7,860 (43)	4,970 (52.8)	3,670 (63)	2,710 (73)	1,960 (83)	1,360 (93)	880 (102.8)

NOTE: () Reference radii in feet.

*60 ft. boom length is with inner-mid extended and outer-mid & fly retracted.

RATED LIFTING CAPACITIES IN POUNDS WITH 7800 LB. REMOVABLE COUNTERWEIGHT 35 FT. - 110 FT. BOOM

ON OUTRIGGERS FULLY EXTENDED - OVER REAR

Radius in Feet	#0001								
	Main Boom Length in Feet								
	35	40	50	*60	70	80	90	100	110
9	@ 100,000 (67.5)								
9	90,000 (67.5)								
10	80,000 (66)	68,000 (69.5)	58,150 (74)						
12	67,400 (62)	63,800 (66)	55,450 (71.5)	44,600 (75)					
15	58,050 (56)	54,700 (61)	48,050 (67.5)	42,250 (71.5)	35,600 (74.5)	33,000 (77)			
20	44,950 (44.5)	43,000 (52)	39,400 (61)	33,600 (66.5)	30,500 (70.5)	28,000 (73.5)	25,500 (75.5)	23,300 (77.5)	
25	35,200 (28.5)	35,050 (41.5)	32,400 (54)	27,750 (61)	25,200 (66)	23,800 (69.5)	22,000 (72)	20,400 (74.5)	18,500 (76)
30		28,400 (27)	27,150 (46)	23,350 (55)	21,100 (61)	20,400 (65.5)	19,300 (68.5)	17,550 (71.5)	15,750 (73.5)
35			23,200 (36.5)	20,000 (49)	18,050 (56)	17,400 (61.5)	16,400 (65)	15,200 (68)	13,650 (70.5)
40	See Note 16		18,850 (24)	17,250 (41.5)	15,650 (50.5)	15,050 (57)	14,150 (61.5)	13,300 (65)	12,000 (68)
45				15,000 (33)	13,600 (45)	13,200 (52.5)	12,350 (57.5)	11,550 (61.5)	10,600 (65)
50				12,800 (21.5)	11,950 (38.5)	11,600 (47.5)	10,850 (53.5)	10,100 (58.5)	9,500 (62)
55					10,500 (31)	10,300 (42)	9,630 (49.5)	8,950 (54.5)	8,470 (58.5)
60					9,300 (20)	9,130 (36)	8,570 (45)	7,950 (51)	7,500 (55.5)
65						8,120 (29)	7,640 (40)	7,080 (47)	6,670 (52)
70						7,230 (19)	6,800 (34)	6,330 (42.5)	5,940 (48.5)
75							6,060 (27.5)	5,670 (38)	5,300 (45)
80							5,400 (18)	5,080 (32.5)	4,740 (40.5)
85								4,540 (26)	4,230 (36)
90								4,030 (17)	3,780 (31)
95									3,370 (25)
100									2,990 (16)
Minimum boom angle (deg.) for indicated length (no load)									0
Maximum boom length (ft.) at 0 degree boom angle (no load)									110

NOTE: () Boom angles are in degrees.

@Maximum lifting capacity of 100,000 lbs. over rear only within defined arc of 6 degrees either side of center line.

Lifting Capacities On Outriggers Fully Extended - 360° At Zero Degree Boom Angle									
Boom Angle	Main Boom Length in Feet								
	35	40	50	*60	70	80	90	100	110
0*	15,500 (27.8)	12,240 (33)	7,860 (43)	4,970 (52.8)	3,670 (63)	2,710 (73)	1,960 (83)	1,360 (93)	880 (102.8)

NOTE: () Reference radii in feet.

*60 ft. boom length is with inner-mid extended and outer-mid & fly retracted.

32 FT. FIXED LENGTH EXTENSION WITH 7800 LB REMOVABLE COUNTERWEIGHT

ON OUTRIGGERS FULLY EXTENDED - 360°

Radius in Feet	#0051 or #51	#0052 or #52	#0053 or #53
	0° OFFSET	15° OFFSET	30° OFFSET
30	9,880 (78)		
35	9,090 (76)	*7,880 (78)	
40	8,380 (74)	7,450 (75.5)	*6,180 (78)
45	7,720 (71.5)	7,140 (73.5)	6,070 (76)
50	7,120 (69.5)	6,850 (71.5)	5,820 (73.5)
55	6,570 (67)	6,590 (69)	5,590 (71.5)
60	5,880 (65)	6,350 (67)	5,390 (69)
65	5,230 (62.5)	5,660 (64.5)	5,200 (67)
70	4,650 (60)	5,050 (62)	5,030 (64.5)
75	4,120 (57.5)	4,490 (59.5)	4,800 (62)
80	3,640 (55)	3,980 (57)	4,260 (59.5)
85	3,190 (52.5)	3,500 (54.5)	3,760 (57)
90	2,790 (49.5)	3,070 (52)	3,300 (54)
95	2,410 (47)	2,670 (49)	2,870 (51)
100	2,070 (43.5)	2,300 (46)	2,480 (48)
105	1,750 (40.5)	1,960 (42.5)	2,110 (45)
110	1,450 (37)	1,630 (39)	1,760 (41.5)

NOTE: () Boom angles are in degrees.

*This capacity is based upon the maximum boom angle.

#LMI operating code. Two or four digit code depends on LMI system. Refer to LMI manual for instructions.

BOOM EXTENSION CAPACITY NOTES:

1. All capacities above the bold line are based on structural strength of boom extension.
2. 32 ft. boom extension lengths may be used for single line lifting service only.
3. Radii listed are for a fully extended boom with the boom extension erected. For main boom lengths less than fully extended, the rated loads are determined by boom angle. Use only the column which corresponds to the boom extension length and offset for which the machine is configured. For boom angles not shown, use the rating of the next lower boom angle.

WARNING: Operation of this machine with heavier loads than the capacities listed is strictly prohibited. Machine tipping with boom extension occurs rapidly and without advance warning.

4. Boom angle is the angle above or below horizontal of the longitudinal axis of the boom base section after lifting rated load.
5. Capacities listed are with outriggers fully extended and vertical jacks set only.
6. **32 FT. FIXED OFFSETTABLE BOOM EXTENSION WARNING:** For main boom length greater than 90 ft. with 32 ft. fixed boom extension in working position, the boom angle must not be less than 31° since loss of stability will occur causing a tipping condition. The boom angle is not restricted for main boom length equal to or less than 90 ft. This warning also applies for boom extension erection purposes.

32 FT. - 56 FT. TELE OFFSETTABLE BOOM EXTENSION WITH 7800 LB. REMOVABLE COUNTERWEIGHT

ON OUTRIGGERS FULLY EXTENDED - 360°

Radius in Feet	32 ft. LENGTH			44 ft. LENGTH			56 ft. LENGTH		
	#0021 or #21	#0022 or #22	#0023 or #23	#0031 or #31	#0032 or #32	#0033 or #33	#0041 or #41	#0042 or #42	#0043 or #43
	0° OFFSET	15° OFFSET	30° OFFSET	0° OFFSET	15° OFFSET	30° OFFSET	0° OFFSET	15° OFFSET	30° OFFSET
30	9,500 (78)								
35	8,710 (76)	*7,500 (78)		7,320 (77.5)					
40	8,000 (74)	7,070 (75.5)	*5,800 (78)	6,880 (75.5)			5,560 (77)		
45	7,340 (71.5)	6,760 (73.5)	5,690 (76)	6,490 (74)	5,060 (77.5)		5,250 (75.5)		
50	6,740 (69.5)	6,470 (71.5)	5,440 (73.5)	6,140 (72)	4,840 (75.5)	*3,770 (78)	4,970 (73.5)	3,900 (78)	
55	6,190 (67)	6,210 (69)	5,210 (71.5)	5,820 (69.5)	4,650 (73.5)	3,600 (76)	4,710 (72)	3,740 (76)	
60	5,500 (65)	5,970 (67)	5,010 (69)	5,530 (67.5)	4,460 (71.5)	3,450 (74)	4,480 (70)	3,600 (74.5)	2,650 (78)
65	4,850 (62.5)	5,280 (64.5)	4,820 (67)	5,220 (65.5)	4,300 (69.5)	3,320 (72)	4,270 (68)	3,410 (72.5)	2,540 (76)
70	4,270 (60)	4,670 (62)	4,650 (64.5)	4,640 (63.5)	4,140 (67.5)	3,190 (70)	4,070 (66.5)	3,220 (70.5)	2,430 (74)
75	3,740 (57.5)	4,110 (59.5)	4,420 (62)	4,110 (61.5)	3,940 (65)	3,070 (67.5)	3,890 (64.5)	3,050 (68.5)	2,340 (72.5)
80	3,260 (55)	3,600 (57)	3,880 (59.5)	3,640 (59)	3,750 (63)	2,970 (65.5)	3,720 (62.5)	2,890 (66.5)	2,250 (70)
85	2,810 (52.5)	3,120 (54.5)	3,380 (57)	3,200 (57)	3,570 (61)	2,870 (63)	3,530 (60.5)	2,750 (64.5)	2,170 (68)
90	2,410 (49.5)	2,690 (52)	2,920 (54)	2,800 (54.5)	3,190 (58.5)	2,780 (60.5)	3,130 (58.5)	2,620 (62.5)	2,100 (66)
95	2,030 (47)	2,290 (49)	2,490 (51)	2,430 (52)	2,790 (56)	2,700 (58)	2,760 (56.5)	2,500 (60.5)	2,030 (64)
100	1,690 (43.5)	1,920 (46)	2,100 (48)	2,080 (49.5)	2,420 (53.5)	2,630 (55.5)	2,420 (54.5)	2,390 (58.5)	1,970 (61.5)
105	1,370 (40.5)	1,580 (42.5)	1,730 (45)	1,770 (47)	2,070 (51)	2,320 (52.5)	2,110 (52)	2,290 (56)	1,910 (59.5)
110	1,070 (37)	1,250 (39)	1,380 (41.5)	1,470 (44)	1,750 (48.5)	1,970 (50)	1,820 (49.5)	2,180 (54)	1,860 (57)
115				1,200 (41)	1,450 (45.5)	1,640 (46.5)	1,540 (47.5)	1,880 (51.5)	1,810 (54)
120							1,290 (45)	1,600 (48.5)	1,670 (51.5)

NOTE: () Boom angles are in degrees.

*This capacity is based upon maximum boom angle.

#LMI operating code. Two or four digit code depends on LMI system. Refer to LMI manual for instructions.

- All capacities above the bold line are based on structural strength of boom extension.
- 32 ft., 44 ft. and 56 ft. boom extension lengths may be used for single line lifting service only.
- Radii listed are for a fully extended boom with the boom extension erected. For main boom lengths less than fully extended, the rated loads are determined by boom angle. Use only the column which corresponds to the boom extension length and offset for which the machine is configured. For boom angles not shown, use the rating of the next lower boom angle.
WARNING: Operation of this machine with heavier loads than the capacities listed is strictly prohibited. Machine tipping with boom extension occurs rapidly and without advanced warning.
- Boom angle is the angle above or below horizontal of the longitudinal axis of the boom base section after lifting rated load.
- Capacities listed are with outriggers fully extended and vertical jacks set only.
- 32 ft. - 44 ft. TELE OFFSETTABLE BOOM EXTENSION WARNING:** For main boom length greater than 90 ft. with 32 ft. or 44 ft. tele boom extension in working position, the boom angle must not be less than 31° since loss of stability will occur causing a tipping condition. The boom angle is not restricted for main boom length equal to or less than 90 ft. This warning also applies for boom extension erection purposes.
56 ft. TELE OFFSETTABLE BOOM EXTENSION WARNING: For main boom length greater than 80 ft. with 56 ft. tele boom extension in working position, the boom angle must not be less than 34° since loss of stability will occur causing a tipping condition. The boom angle is not restricted for main boom length equal to or less than 80 ft. This warning also applies for boom extension erection purposes.



For Use in CCO Written Examinations

LINK-BELT (Truck Mount) LATTICE BOOM TRUCK CRANE (LBT)

These charts have been adapted from the original manufacturer's charts for use in CCO Written Examinations.

This supplement is not to be used for any other purpose.

Copyright 2011–2014. National Commission for the Certification of Crane Operators (NCCCO). All rights reserved. This document may not be reproduced in whole or in part without the express written permission of the manufacturer and the consent of NCCCO.

Lattice Boom Crane Lifting Capacities

PCSA Class 12-821
Refer to notes page 12

Boom - Tube; 70" (1.77 m) wide, 62" (1.57 m) deep with open throat top section and 26' (7.92 m) live mast.

Jib - Tube; 36" (.91 m) wide, 30" (.76 m) deep.

Mounting - rubber tire mobile base: Link-Belt; 8x4 drive, 260" (6.60 m) wheelbase, 11' 0" (3.35 m) wide.

Counterweights:

- "A" Upper - 23,000 lbs. (10 433 kg)
- "AB" Upper - 42,330 lbs. (19 201 kg)
- "ABC" Upper - 69,000 lbs. (31 298 kg)
- "A" Bumper - 13,500 lbs. (6 124 kg)

Maximum boom or boom + jib machine on outriggers can lift off ground unassisted - without load

Crane must be equipped with the counterweights listed below when the indicated boom or boom + jib lengths are used.	Boom or boom + jib lengths allowed	On Outriggers							
		Over Rear				Over Side			
		Boom		Boom + Jib		Boom		Boom + Jib	
		Feet	meters	Feet	meters	Feet	meters	Feet	meters
Cwt. 0 + 0	Minimum	50	15.24	n/a	n/a	50	15.24	n/a	n/a
	Maximum	160	48.77	n/a	n/a	140	42.67	n/a	n/a
Cwt. A + 0	Minimum	50	15.24	n/a	n/a	50	15.24	n/a	n/a
	Maximum	190	57.91	n/a	n/a	180	54.86	n/a	n/a
Cwt. AB + 0	Minimum	50	15.24	n/a	n/a	50	15.24	n/a	n/a
	Maximum	220	67.06	n/a	n/a	200	60.96	n/a	n/a
Cwt. AB + A	Minimum	50	15.24	n/a	n/a	50	15.24	n/a	n/a
	Maximum	240	73.15	n/a	n/a	210	64.01	n/a	n/a
Cwt. ABC + 0	Minimum	50	15.24	50 + 30	15.24 + 9.14	50	15.24	50 + 30	15.24 + 9.14
	Maximum	240	73.15	210 + 70	64.01 + 21.34	240	73.15	200 + 70	60.96 + 21.34
Cwt. ABC + A	Minimum	100	30.48	100 + 30	30.48 + 9.14	100	30.48	100 + 30	30.48 + 9.14
	Maximum	240	73.15	210 + 70	64.01 + 21.34	240	73.15	210 + 70	64.01 + 21.34

Maximum boom machine on tires can lift off ground unassisted - without load

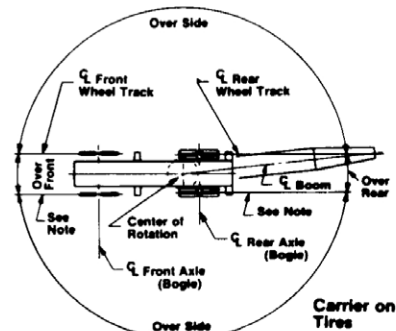
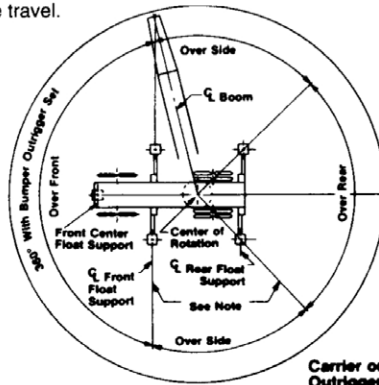
Crane must be equipped with the counterweights listed below when the indicated boom lengths are used.	Boom lengths allowed	On Tires			
		Over Rear		Over Side	
		Boom		Boom	
		Feet	meters	Feet	meters
Cwt. 0 + 0	Minimum	50	15.24	n/a	n/a
	Maximum	100	30.48	n/a	n/a
Cwt. A + 0	Minimum	50	15.24	n/a	n/a
	Maximum	130	39.62	n/a	n/a
Cwt. AB + 0	Minimum	50	15.24	n/a	n/a
	Maximum	160	48.77	n/a	n/a
Cwt. AB + A	Minimum	50	15.24	n/a	n/a
	Maximum	180	54.86	n/a	n/a
Cwt. ABC + 0	Minimum	50	15.24	n/a	n/a
	Maximum	190	57.91	n/a	n/a
Cwt. ABC + A	Minimum	100	30.48	n/a	n/a
	Maximum	210	64.01	n/a	n/a

Note: See Operator's Manual for allowable jobsite travel.

Working Areas

1. These lines determine the limiting position of any load for operation within working areas indicated.

Caution: This material is for reference only. Operator must refer to in-cab Crane Rating Manual to determine allowable machine lifting capacities and operating procedures.





Lift Crane Capacities - On Outriggers

Boom Length (ft.)	Load Radius (ft.)	Boom Angle (degree)	Over Rear						360 Degree Rotation										
			Capacities (lbs.) - On Outriggers			Capacities (lbs.) - On Outriggers			Capacities (lbs.) - On Outriggers			Capacities (lbs.) - On Outriggers							
			0 + 0	"A" + 0	"AB" + 0	"ABC" + 0	"AB" + "A"	"ABC" + "A"	0 + 0	"A" + 0	"AB" + 0	"ABC" + 0	"AB" + "A"	"ABC" + "A"					
35' (10.67 m)	10	82.0	--	--	--	--	--	--	--	--	--	--	--	--	--	--	--	--	
	15	72.9	--	--	--	--	--	--	--	--	--	--	--	--	--	--	--	--	
	20	63.2	--	--	--	--	--	--	--	--	--	--	--	--	--	--	--	--	
	35	17.6	--	--	--	--	--	--	--	--	--	--	--	--	--	--	--	--	
	50' (15.24 m)	12	79.6	213,200*	234,100*	250,000*	250,000*	250,000*	250,000*	234,100*	250,000*	250,000*	213,200*	234,100*	250,000*	250,000*	234,100*	250,000*	250,000*
		13	78.4	197,900*	217,400*	236,300*	236,300*	236,300*	236,300*	217,400*	236,300*	236,300*	197,900*	217,400*	236,300*	236,300*	217,400*	236,300*	236,300*
14		77.2	184,500*	202,800*	220,500*	220,500*	220,500*	220,500*	202,800*	220,500*	220,500*	184,500*	202,800*	220,500*	220,500*	202,800*	220,500*	220,500*	
15		76.1	172,900*	190,000*	206,600*	206,600*	206,600*	206,600*	190,000*	206,600*	206,600*	172,900*	190,000*	206,600*	206,600*	190,000*	206,600*	206,600*	
16		74.9	162,500*	178,700*	194,300*	194,300*	194,300*	194,300*	178,700*	194,300*	194,300*	162,500*	178,700*	194,300*	194,300*	178,700*	194,300*	194,300*	
17		73.7	153,300*	168,600*	183,300*	183,300*	183,300*	183,300*	168,600*	183,300*	183,300*	153,300*	168,600*	183,300*	183,300*	168,600*	183,300*	183,300*	
18		72.5	145,100*	159,500*	173,600*	173,600*	173,600*	173,600*	159,500*	173,600*	173,600*	145,100*	159,500*	173,600*	173,600*	159,500*	173,600*	173,600*	
19		71.3	129,200*	144,000*	156,700*	156,700*	156,700*	156,700*	144,000*	156,700*	156,700*	129,200*	144,000*	156,700*	156,700*	144,000*	156,700*	156,700*	
20		70.1	115,800*	129,200*	144,000*	144,000*	144,000*	144,000*	129,200*	144,000*	144,000*	115,800*	129,200*	144,000*	144,000*	129,200*	144,000*	144,000*	
25		63.8	75,500*	105,900*	125,800*	125,800*	125,800*	125,800*	105,900*	125,800*	125,800*	75,500*	105,900*	125,800*	125,800*	105,900*	125,800*	125,800*	
30	57.3	55,400*	78,200*	98,800*	98,800*	98,800*	98,800*	78,200*	98,800*	98,800*	55,400*	78,200*	98,800*	98,800*	78,200*	98,800*	98,800*		
35	50.1	43,300*	61,500*	78,000*	78,000*	78,000*	78,000*	61,500*	78,000*	78,000*	43,300*	61,500*	78,000*	78,000*	61,500*	78,000*	78,000*		
40	42.2	35,200*	50,400*	64,200*	64,200*	64,200*	64,200*	50,400*	64,200*	64,200*	35,200*	50,400*	64,200*	64,200*	50,400*	64,200*	64,200*		
50	19.8	25,000*	36,400*	46,700*	46,700*	46,700*	46,700*	25,000*	36,400*	46,700*	25,000*	36,400*	46,700*	46,700*	25,000*	36,400*	46,700*		
60' (18.29 m)	13	80.0	192,300*	211,300*	229,600*	229,600*	229,600*	229,600*	211,300*	229,600*	229,600*	192,300*	211,300*	229,600*	229,600*	211,300*	229,600*	229,600*	
	14	79.4	184,200*	202,400*	220,000*	220,000*	220,000*	220,000*	202,400*	220,000*	220,000*	184,200*	202,400*	220,000*	220,000*	202,400*	220,000*	220,000*	
	15	78.4	172,600*	189,600*	206,100*	206,100*	206,100*	206,100*	189,600*	206,100*	206,100*	172,600*	189,600*	206,100*	206,100*	189,600*	206,100*	206,100*	
	16	77.4	162,200*	178,400*	194,000*	194,000*	194,000*	194,000*	178,400*	194,000*	194,000*	162,200*	178,400*	194,000*	194,000*	178,400*	194,000*	194,000*	
	17	76.5	153,100*	168,300*	183,000*	183,000*	183,000*	183,000*	168,300*	183,000*	183,000*	153,100*	168,300*	183,000*	183,000*	168,300*	183,000*	183,000*	
	18	75.5	144,800*	159,300*	173,300*	173,300*	173,300*	173,300*	159,300*	173,300*	173,300*	144,800*	159,300*	173,300*	173,300*	159,300*	173,300*	173,300*	
	19	74.5	129,900*	151,200*	164,400*	164,400*	164,400*	164,400*	151,200*	164,400*	164,400*	129,900*	151,200*	164,400*	164,400*	151,200*	164,400*	164,400*	
	20	73.5	116,400*	143,800*	156,500*	156,500*	156,500*	156,500*	143,800*	156,500*	156,500*	116,400*	143,800*	156,500*	156,500*	143,800*	156,500*	156,500*	
	25	68.4	75,900*	106,300*	125,600*	125,600*	125,600*	125,600*	106,300*	125,600*	125,600*	75,900*	106,300*	125,600*	125,600*	106,300*	125,600*	125,600*	
	30	63.2	55,700*	78,500*	99,100*	99,100*	99,100*	99,100*	78,500*	99,100*	99,100*	55,700*	78,500*	99,100*	99,100*	78,500*	99,100*	99,100*	
	35	57.7	43,600*	61,800*	78,300*	78,300*	78,300*	78,300*	61,800*	78,300*	78,300*	43,600*	61,800*	78,300*	78,300*	61,800*	78,300*	78,300*	
	40	51.9	35,400*	50,600*	64,400*	64,400*	64,400*	64,400*	50,600*	64,400*	64,400*	35,400*	50,600*	64,400*	64,400*	50,600*	64,400*	64,400*	
50	38.4	25,200*	36,600*	46,900*	46,900*	46,900*	46,900*	36,600*	46,900*	46,900*	25,200*	36,600*	46,900*	46,900*	36,600*	46,900*	46,900*		
60	18.1	19,000*	28,100*	36,400*	36,400*	36,400*	36,400*	19,000*	28,100*	36,400*	19,000*	28,100*	36,400*	36,400*	19,000*	28,100*	36,400*		
70' (21.34 m)	15	80.0	171,600*	188,500*	204,900*	204,900*	204,900*	204,900*	188,500*	204,900*	204,900*	171,600*	188,500*	204,900*	204,900*	188,500*	204,900*	204,900*	
	16	79.3	162,500*	178,600*	194,100*	194,100*	194,100*	194,100*	178,600*	194,100*	194,100*	162,500*	178,600*	194,100*	194,100*	178,600*	194,100*	194,100*	
	17	78.4	153,300*	168,500*	183,200*	183,200*	183,200*	183,200*	168,500*	183,200*	183,200*	153,300*	168,500*	183,200*	183,200*	168,500*	183,200*	183,200*	
	18	77.6	145,100*	159,400*	173,500*	173,500*	173,500*	173,500*	159,400*	173,500*	173,500*	145,100*	159,400*	173,500*	173,500*	159,400*	173,500*	173,500*	
	19	76.7	131,500*	151,400*	164,600*	164,600*	164,600*	164,600*	151,400*	164,600*	164,600*	131,500*	151,400*	164,600*	164,600*	151,400*	164,600*	164,600*	
	20	75.9	117,800*	144,000*	156,700*	156,700*	156,700*	156,700*	144,000*	156,700*	156,700*	117,800*	144,000*	156,700*	156,700*	144,000*	156,700*	156,700*	
	25	71.6	76,900*	107,200*	125,800*	125,800*	125,800*	125,800*	107,200*	125,800*	125,800*	76,900*	107,200*	125,800*	125,800*	107,200*	125,800*	125,800*	
	30	67.3	56,400*	79,100*	99,700*	99,700*	99,700*	99,700*	79,100*	99,700*	99,700*	56,400*	79,100*	99,700*	99,700*	79,100*	99,700*	99,700*	
	35	62.8	44,100*	62,300*	78,800*	78,800*	78,800*	78,800*	62,300*	78,800*	78,800*	44,100*	62,300*	78,800*	78,800*	62,300*	78,800*	78,800*	
	40	58.0	35,900*	51,000*	64,800*	64,800*	64,800*	64,800*	51,000*	64,800*	64,800*	35,900*	51,000*	64,800*	64,800*	51,000*	64,800*	64,800*	
	50	47.8	25,500*	37,000*	47,200*	47,200*	47,200*	47,200*	37,000*	47,200*	47,200*	25,500*	37,000*	47,200*	47,200*	37,000*	47,200*	47,200*	
	60	35.4	19,400*	28,400*	36,700*	36,700*	36,700*	36,700*	28,400*	36,700*	36,700*	19,400*	28,400*	36,700*	36,700*	28,400*	36,700*	36,700*	
70	16.7	15,100*	22,700*	29,600*	29,600*	29,600*	29,600*	15,100*	22,700*	29,600*	15,100*	22,700*	29,600*	29,600*	15,100*	22,700*	29,600*		
80' (24.38 m)	17	80.0	154,200*	169,500*	184,200*	184,200*	184,200*	184,200*	169,500*	184,200*	184,200*	154,200*	169,500*	184,200*	184,200*	169,500*	184,200*	184,200*	
	17	79.9	152,900*	168,000*	182,600*	182,600*	182,600*	182,600*	168,000*	182,600*	182,600*	152,900*	168,000*	182,600*	182,600*	168,000*	182,600*	182,600*	
	18	79.2	144,600*	159,000*	172,900*	172,900*	172,900*	172,900*	159,000*	172,900*	172,900*	144,600*	159,000*	172,900*	172,900*	159,000*	172,900*	172,900*	
	19	78.4	131,800*	150,900*	164,100*	164,100*	164,100*	164,100*	150,900*	164,100*	164,100*	131,800*	150,900*	164,100*	164,100*	150,900*	164,100*	164,100*	
	25	74.0	77,000*	107,300*	125,400*	125,400*	125,400*	125,400*	107,300*	125,400*	125,400*	77,000*	107,300*	125,400*	125,400*	107,300*	125,400*	125,400*	

Link-Belt (Truck Mount) Lattice Boom Truck Crane (LBT)

Lift Crane Capacities - On Outriggers

Boom Length (ft.)	Load Radius (ft.)	Boom Angle (degree)	Capacities (lbs.) - On Outriggers											
			Over Rear					360 Degree Rotation						
			0 + 0	"A" + 0	"AB" + 0	"AB" + "A"	"ABC" + 0	"ABC" + "A"	"A" + 0	"AB" + 0	"AB" + "A"	"ABC" + 0	"ABC" + "A"	
ctwt.	ctwt.	ctwt.	ctwt.	ctwt.	ctwt.	ctwt.	ctwt.	ctwt.	ctwt.	ctwt.	ctwt.	ctwt.	ctwt.	
120' (36.58 m)	90	43.5	9,200	14,900	20,100	25,100	26,800	31,800	6,800	12,700	18,000	19,500	24,800	26,300
	100	36.0	7,500	12,500	17,100	21,600	23,000	27,500	5,300	10,500	15,200	16,600	21,400	22,600
	110	26.9	6,000	10,600	14,700	18,800	20,100	24,100	4,100	8,800	13,000	14,200	18,600	19,800
130' (39.62 m)	120	12.7	4,800	9,000	12,700	16,400	17,700	19,500*	3,000	7,300	11,200	12,300	16,200	17,300
	26	80.0	74,000	103,200	116,000*	116,000*	116,000*	116,000*	63,500	94,200	116,000*	116,000*	116,000*	116,000*
	30	78.0	56,000	78,700	99,200	102,200*	110,200*	110,200*	47,300	71,100	92,500	98,700	110,200*	110,200*
	35	75.7	43,600	61,700	78,100	87,200*	96,300*	96,300*	36,400	55,300	72,300	77,200	94,700	96,300*
	40	73.4	35,200	50,200	64,000	75,700*	81,900	83,800*	29,100	44,900	59,000	63,100	77,600	81,600
	50	68.8	24,700	36,100	46,300	56,400	59,800	66,100*	20,200	31,800	42,500	45,300	56,300	59,300
	60	64.0	18,500	27,500	35,800	43,900	46,400	54,000*	14,700	24,000	32,500	34,900	43,600	45,900
	70	59.0	14,300	21,900	28,700	35,400	37,700	44,400	11,100	18,900	25,900	27,900	35,100	37,200
	80	53.7	11,300	17,800	23,600	29,400	31,300	37,100	8,500	15,200	21,300	22,900	29,100	30,800
	90	48.0	9,000	14,700	19,900	24,800	26,500	31,600	6,600	12,500	17,800	19,300	24,600	26,100
140' (42.67 m)	100	41.7	7,200	12,300	16,900	21,400	22,800	27,300	5,100	10,300	15,000	16,300	21,200	22,500
	110	34.6	5,800	10,400	14,500	18,600	19,900	23,900	3,900	8,500	12,800	14,000	18,300	19,500
	120	25.8	4,600	8,800	12,600	16,200	17,500	21,200	2,900	7,100	11,000	12,100	16,000	17,100
	130	24.8	3,400	7,200	10,700	14,100	15,200	18,600	--	5,700	9,200	10,200	13,800	14,900
	140	11.8	2,600	6,100	9,300	12,400	13,400	17,000*	--	4,700	7,900	8,900	12,200	13,100
	27	80.0	65,900	92,000	105,500*	105,500*	105,500*	105,500*	56,100	83,800	105,500*	105,500*	105,500*	105,500*
	30	78.9	55,900	78,500	99,000	101,800*	102,900*	102,900*	47,200	70,900	92,400	98,600	102,900*	102,900*
150' (45.72 m)	35	76.8	43,400	61,500	77,900	86,800*	95,800*	95,800*	36,300	55,100	72,200	77,100	94,500	95,800*
	40	74.7	35,000	50,000	63,800	75,300*	81,600	83,400*	28,900	44,700	58,800	62,900	77,300	81,400
	50	70.4	24,500	35,900	46,000	56,200	59,500	65,700*	20,000	31,600	42,300	45,100	56,000	59,100
	60	66.0	18,300	27,300	35,500	43,600	46,200	53,600*	14,500	23,700	32,300	34,700	43,400	45,700
	70	61.4	14,100	21,700	28,400	35,200	37,400	44,200	10,900	18,700	25,600	27,700	34,900	36,900
	80	56.6	11,000	17,600	23,300	29,100	31,000	36,800	8,300	15,000	21,100	22,600	28,800	30,600
	90	51.6	8,800	14,500	19,700	24,600	26,200	31,300	6,300	12,200	17,500	19,000	24,300	25,800
	100	46.1	7,000	12,100	16,700	21,200	22,500	27,000	4,800	10,000	14,800	16,100	20,900	22,300
	110	40.1	5,600	10,100	14,300	18,300	19,700	23,600	3,600	8,300	12,600	13,800	18,100	19,300
	120	33.3	4,400	8,600	12,300	16,000	17,200	20,900	2,600	6,900	10,700	11,800	15,800	16,900
160' (48.77 m)	130	24.8	3,400	7,200	10,700	14,100	15,200	18,600	--	5,700	9,200	10,200	13,800	14,900
	140	24.0	2,300	5,900	9,000	12,200	13,200	16,300	--	4,400	7,700	8,600	12,000	12,900
	150	11.4	--	4,900	7,800	10,700	11,700	12,800*	--	3,600	6,600	7,400	10,500	11,400
	29	80.0	59,100	82,900	96,700*	96,700*	96,700*	96,700*	50,100	75,100	96,700*	96,700*	96,700*	96,700*
	30	79.6	55,800	78,400	96,000*	96,000*	96,000*	96,000*	47,100	70,800	92,200	96,000*	96,000*	96,000*
	35	77.7	43,300	61,300	77,700	86,400*	91,800*	91,800*	36,100	55,000	72,000	76,900	91,800*	91,800*
	40	75.7	34,800	49,800	63,600	74,800*	81,400	83,000*	28,700	44,500	58,600	62,700	77,100	81,200
	50	71.7	24,200	35,600	45,800	55,900	59,300*	65,300*	19,800	31,400	42,100	44,900	55,800	58,900
	60	67.6	18,100	27,000	35,300	43,400	45,900	53,200*	14,300	23,500	32,000	34,500	43,200	45,400
	70	63.4	13,800	21,500	28,200	34,900	37,200	43,900	10,600	18,500	25,400	27,400	34,700	36,700
160' (48.77 m)	80	59.1	10,800	17,300	23,100	28,800	30,800	36,600	8,000	14,800	20,800	22,400	28,600	30,300
	90	54.5	8,500	14,200	19,400	24,300	26,000	31,100	6,100	12,000	17,300	18,800	24,000	25,600
	100	49.7	6,700	11,800	16,400	20,900	22,400	26,800	4,600	9,800	14,500	15,900	20,700	22,500
	110	44.5	5,300	9,900	14,000	18,100	19,400	23,300	3,400	8,100	12,300	13,500	17,800	19,100
	120	38.7	4,200	8,300	12,100	15,800	17,000	20,700	2,400	6,600	10,500	11,600	15,500	16,600
	130	32.1	3,200	7,000	10,400	13,800	14,900	18,300	--	5,400	9,000	10,000	13,600	14,600
	140	24.0	2,300	5,900	9,000	12,200	13,200	16,300	--	4,400	7,700	8,600	12,000	12,900
	150	11.4	--	4,900	7,800	10,700	11,700	12,800*	--	3,600	6,600	7,400	10,500	11,400
	31	80.0	53,300	75,100	88,000*	88,000*	88,000*	88,000*	45,000	67,800	88,000*	88,000*	88,000*	88,000*
	35	78.4	43,100	61,200	77,500	85,200*	85,200*	85,200*	36,000	54,900	76,700	76,700	85,200*	85,200*
40	76.6	34,600	49,600	63,400	74,400*	81,200	82,000*	28,500	44,400	58,400	62,500	76,900	81,000	
50	72.9	24,000	35,400	45,500	55,700	59,100	64,900*	19,500	31,100	41,800	44,900	55,600	58,600	
60	69.1	17,800	26,800	35,000	43,200	45,600	52,800*	14,100	23,300	31,800	34,200	42,900	45,100	

Lift Crane Capacities - On Outriggers

Boom Length (ft.)	Load Radius (ft.)	Boom Angle (degree)	Capacities (lbs.) - On Outriggers						Capacities (lbs.) - On Outriggers						
			Over Rear			360 Degree Rotation			Over Rear			360 Degree Rotation			
			0 + 0 ctwt.	"A" + 0 ctwt.	"AB" + 0 ctwt.	"ABC" + 0 ctwt.	"A" + 0 ctwt.	"AB" + 0 ctwt.	"ABC" + 0 ctwt.	"A" + 0 ctwt.	"AB" + 0 ctwt.	"ABC" + 0 ctwt.	"A" + 0 ctwt.	"AB" + 0 ctwt.	"ABC" + 0 ctwt.
160' (48.77 m)	70	65.2	13,600	21,200	27,900	34,700	36,900	43,700	10,400	18,200	25,100	27,100	34,400	36,400	
	80	61.2	10,500	17,100	22,800	28,600	30,500	36,300	7,800	14,500	20,600	22,300	28,300	30,300	
	90	57.0	8,300	14,000	19,200	24,000	25,700	30,800	5,800	11,700	17,000	18,500	23,800	25,900	
	100	52.7	6,500	11,600	16,200	20,700	22,200	26,500	4,300	9,500	14,300	15,600	20,400	21,800	
	110	48.0	5,100	9,800	13,800	17,800	19,200	23,100	3,100	7,800	12,000	13,300	17,600	18,800	
	120	43.0	3,900	8,000	11,800	15,500	16,700	20,400	2,100	6,400	10,200	11,300	15,300	16,400	
	130	37.4	2,900	6,700	10,200	13,600	14,700	18,100	--	5,200	9,700	10,800	14,300	15,400	
	140	31.1	2,100	5,600	8,800	11,900	12,900	16,100	--	4,200	7,400	8,400	11,700	12,600	
	150	23.2	--	4,600	7,600	10,500	11,500	14,400	--	3,300	6,300	7,200	10,300	11,200	
	160	11.0	--	3,800	6,500	10,200	11,100*	14,100*	--	2,600	5,400	6,200	9,100	9,900	
	170' (51.82 m)	32	80.0	68,500	81,000*	81,000*	81,000*	81,000*	81,000*	61,800	80,800	81,000*	81,000*	81,000*	81,000*
		35	79.1	61,000	77,300	77,300	79,500*	79,500*	79,500*	54,600	71,600	76,500	76,500	76,500*	76,500*
		40	77.4	49,400	63,200	63,200	73,900*	76,500*	76,500*	44,200	58,200	62,300	62,300	62,300	62,300
		50	73.9	35,200	45,300	45,300	55,400	58,800	64,400*	30,900	41,600	44,600	44,600	44,600	44,600
		60	70.4	26,500	34,800	34,800	42,900	45,400	52,400*	23,000	31,500	34,000	34,000	34,000	34,000
		70	66.8	21,000	27,600	27,600	34,400	36,600	43,400	18,000	24,900	26,900	26,900	26,900	26,900
80		63.0	16,800	22,500	22,500	28,300	30,200	36,000	14,300	20,300	22,100	22,100	22,100	22,100	
90		59.2	13,700	18,900	18,900	23,700	25,400	30,500	11,500	16,800	18,300	18,300	18,300	18,300	
100		55.2	11,300	15,900	15,900	20,400	21,900	26,200	9,300	14,000	15,300	15,300	15,300	15,300	
110		51.0	9,400	13,500	13,500	17,600	18,900	22,800	7,500	11,800	13,000	13,000	13,000	13,000	
120		46.5	7,800	11,500	11,500	15,200	16,500	20,100	6,100	10,000	11,100	11,100	11,100	11,100	
130		41.6	6,500	9,900	9,900	13,300	14,400	17,800	4,900	8,500	9,500	9,500	9,500	9,500	
140		36.3	5,300	8,500	8,500	11,600	12,700	15,800	3,900	7,200	8,100	8,100	8,100	8,100	
150		30.1	4,400	7,300	7,300	10,200	11,200	14,100	3,000	6,100	6,900	6,900	6,900	6,900	
160		22.5	3,500	6,300	6,300	9,000	9,900	12,600*	2,300	5,100	5,900	5,900	5,900	5,900	
170		10.7	2,800	5,400	5,400	7,900	8,800	9,500*	--	4,300	5,000	5,000	5,000	5,000	
180' (54.86 m)	34	80.0	63,000	72,800*	72,800*	72,800*	72,800*	72,800*	56,500	72,800*	72,800*	72,800*	72,800*	72,800*	
	35	79.7	60,800	72,800*	72,800*	72,800*	72,800*	72,800*	54,400	71,400	72,800*	72,800*	72,800*	72,800*	
	40	78.1	49,200	63,000	63,000	71,100*	71,100*	71,100*	44,000	58,000	62,100	62,100*	62,100*	62,100*	
	50	74.8	34,900	45,000	45,000	55,200	58,600	63,500*	30,700	41,400	44,400	44,400	44,400	44,400	
	60	71.5	26,200	34,500	34,500	42,600	45,100	51,900*	22,800	31,300	33,700	33,700	33,700	33,700	
	70	68.1	20,700	27,400	27,400	34,100	36,400	43,100	17,700	24,600	26,600	26,600	26,600	26,600	
	80	64.7	16,600	22,200	22,200	28,000	29,900	35,700	14,000	20,100	21,900	21,900	21,900	21,900	
	90	61.1	13,400	18,600	18,600	23,500	25,100	30,200	11,200	16,500	18,000	18,000	18,000	18,000	
	100	57.4	11,000	15,600	15,600	20,100	21,600	25,900	9,000	13,700	15,100	15,100	15,100	15,100	
	110	53.5	9,100	13,200	13,200	17,300	18,600	22,500	7,300	11,500	12,700	12,700	12,700	12,700	
	120	49.4	7,500	11,300	11,300	15,000	16,200	19,900	5,800	9,700	10,800	10,800	10,800	10,800	
	130	45.1	6,200	9,600	9,600	13,000	14,100	17,500	4,600	8,200	9,200	9,200	9,200	9,200	
	140	40.4	5,100	8,200	8,200	11,400	12,400	15,800	3,600	6,900	7,800	7,800	7,800	7,800	
	150	35.2	4,100	7,100	7,100	9,900	10,900	13,800	2,800	5,800	6,700	6,700	6,700	6,700	
	160	29.3	3,300	6,000	6,000	8,700	9,600	12,300	--	4,800	5,700	5,700	5,700	5,700	
	170	21.9	2,500	5,100	5,100	7,700	8,500	10,800*	--	4,000	4,800	4,800	4,800	4,800	
180	10.4	--	4,300	4,300	6,700	7,500	8,100*	--	3,300	4,000	4,000	4,000	4,000		
190' (57.91 m)	36	80.0	58,000	63,300*	63,300*	63,300*	63,300*	63,300*	51,900	63,300*	63,300*	63,300*	63,300*	63,300*	
	40	78.8	48,900	54,800	54,800	62,500*	62,500*	62,500*	43,800	57,800	61,900	61,900	61,900	61,900	
	50	75.7	34,700	44,800	44,800	54,900	58,300	65,200*	30,400	41,100	44,200	44,200	44,200	44,200	
	60	72.5	26,000	34,300	34,300	44,400	48,800	51,400*	22,500	31,000	33,500	33,500	33,500	33,500	
	70	69.3	20,400	27,100	27,100	33,800	36,100	42,900	17,500	24,300	26,300	26,300	26,300	26,300	
	80	66.1	16,300	22,200	22,200	27,700	29,700	35,500	13,700	19,800	21,500	21,500	21,500	21,500	
	90	62.7	13,200	18,300	18,300	23,200	24,900	29,900	10,900	16,200	17,700	17,700	17,700	17,700	
	100	59.3	10,700	15,300	15,300	19,900	21,400	25,600	8,700	13,400	14,800	14,800	14,800	14,800	
	110	55.7	8,800	12,900	12,900	17,000	18,300	22,400	7,000	11,200	12,400	12,400	12,400	12,400	

Link-Belt (Truck Mount) Lattice Boom Truck Crane (LBT)

Lift Crane Capacities - On Outriggers

Boom Length (ft.)	Load Radius (ft.)	Boom Angle (degree)	Capacities (lbs.) - On Outriggers Over Rear					Capacities (lbs.) - On Outriggers 360 Degree Rotation							
			"A" + 0	"AB" + 0	"AB" + "A"	"ABC" + 0	"ABC" + "A"	"A" + 0	"AB" + 0	"AB" + "A"	"ABC" + 0	"ABC" + "A"			
			ctwt.	ctwt.	ctwt.	ctwt.	ctwt.	ctwt.	ctwt.	ctwt.	ctwt.	ctwt.			
190' (57.91 m)	120	52.0	7,200	11,000	14,700	15,900	19,600	19,600	19,600	19,600	5,600	9,400	10,500	14,400	15,500
	130	48.0	5,900	9,300	12,700	13,800	17,200	17,200	17,200	4,400	7,900	8,900	12,500	13,500	
	140	43.8	4,800	8,000	11,100	12,100	15,200	15,200	15,200	3,400	6,600	7,500	10,900	11,800	
	150	39.3	3,800	6,800	9,700	10,600	13,500	13,500	13,500	2,500	5,500	6,400	9,500	10,300	
	160	34.3	3,000	5,700	8,400	9,300	12,000	12,000	12,000	--	4,600	5,400	8,300	9,100	
	170	28.5	2,200	4,800	7,400	8,200	10,600*	10,600*	10,600*	--	3,700	4,500	7,200	7,900	
	180	21.3	--	4,000	6,400	9,200*	9,200*	9,200*	9,200*	--	3,000	3,700	6,300	7,000	
	190	10.1	--	3,300	5,600	8,700*	8,700*	8,700*	8,700*	--	2,300	3,000	5,400	6,100	
	38	80.0	56,000*	56,000*	56,000*	56,000*	56,000*	56,000*	56,000*	56,000*	56,000*	56,000*	56,000*	56,000*	56,000*
	40	79.3	56,000*	56,000*	56,000*	56,000*	56,000*	56,000*	56,000*	56,000*	56,000*	56,000*	56,000*	56,000*	56,000*
50	76.4	44,500	44,500	44,500	44,500	44,500	44,500	44,500	44,500	44,500	44,500	44,500	44,500	44,500	
60	73.4	34,000	34,000	34,000	34,000	34,000	34,000	34,000	34,000	34,000	34,000	34,000	34,000	34,000	
70	70.4	26,800	26,800	26,800	26,800	26,800	26,800	26,800	26,800	26,800	26,800	26,800	26,800	26,800	
80	67.3	18,100	18,100	18,100	18,100	18,100	18,100	18,100	18,100	18,100	18,100	18,100	18,100	18,100	
90	64.2	15,100	15,100	15,100	15,100	15,100	15,100	15,100	15,100	15,100	15,100	15,100	15,100	15,100	
100	61.0	12,700	12,700	12,700	12,700	12,700	12,700	12,700	12,700	12,700	12,700	12,700	12,700	12,700	
120	54.2	10,700	10,700	10,700	10,700	10,700	10,700	10,700	10,700	10,700	10,700	10,700	10,700	10,700	
130	50.6	9,100	9,100	9,100	9,100	9,100	9,100	9,100	9,100	9,100	9,100	9,100	9,100	9,100	
140	46.7	7,700	7,700	7,700	7,700	7,700	7,700	7,700	7,700	7,700	7,700	7,700	7,700	7,700	
150	42.7	6,500	6,500	6,500	6,500	6,500	6,500	6,500	6,500	6,500	6,500	6,500	6,500	6,500	
160	38.3	5,400	5,400	5,400	5,400	5,400	5,400	5,400	5,400	5,400	5,400	5,400	5,400	5,400	
170	33.4	4,500	4,500	4,500	4,500	4,500	4,500	4,500	4,500	4,500	4,500	4,500	4,500	4,500	
180	27.7	3,700	3,700	3,700	3,700	3,700	3,700	3,700	3,700	3,700	3,700	3,700	3,700	3,700	
190	20.7	3,000	3,000	3,000	3,000	3,000	3,000	3,000	3,000	3,000	3,000	3,000	3,000	3,000	
200	9.9	2,400	2,400	2,400	2,400	2,400	2,400	2,400	2,400	2,400	2,400	2,400	2,400	2,400	
39	80.0	49,500*	49,500*	49,500*	49,500*	49,500*	49,500*	49,500*	49,500*	49,500*	49,500*	49,500*	49,500*	49,500*	
40	79.8	49,500*	49,500*	49,500*	49,500*	49,500*	49,500*	49,500*	49,500*	49,500*	49,500*	49,500*	49,500*	49,500*	
50	77.1	44,600	44,600	44,600	44,600	44,600	44,600	44,600	44,600	44,600	44,600	44,600	44,600	44,600	
60	74.2	33,700	33,700	33,700	33,700	33,700	33,700	33,700	33,700	33,700	33,700	33,700	33,700	33,700	
70	71.4	26,500	26,500	26,500	26,500	26,500	26,500	26,500	26,500	26,500	26,500	26,500	26,500	26,500	
80	68.5	21,700	21,700	21,700	21,700	21,700	21,700	21,700	21,700	21,700	21,700	21,700	21,700	21,700	
90	65.5	17,800	17,800	17,800	17,800	17,800	17,800	17,800	17,800	17,800	17,800	17,800	17,800	17,800	
100	62.5	14,800	14,800	14,800	14,800	14,800	14,800	14,800	14,800	14,800	14,800	14,800	14,800	14,800	
110	59.4	12,400	12,400	12,400	12,400	12,400	12,400	12,400	12,400	12,400	12,400	12,400	12,400	12,400	
120	56.1	10,400	10,400	10,400	10,400	10,400	10,400	10,400	10,400	10,400	10,400	10,400	10,400	10,400	
130	52.8	8,800	8,800	8,800	8,800	8,800	8,800	8,800	8,800	8,800	8,800	8,800	8,800	8,800	
140	49.3	7,400	7,400	7,400	7,400	7,400	7,400	7,400	7,400	7,400	7,400	7,400	7,400	7,400	
150	45.6	6,200	6,200	6,200	6,200	6,200	6,200	6,200	6,200	6,200	6,200	6,200	6,200	6,200	
160	41.6	5,200	5,200	5,200	5,200	5,200	5,200	5,200	5,200	5,200	5,200	5,200	5,200	5,200	
170	37.3	4,200	4,200	4,200	4,200	4,200	4,200	4,200	4,200	4,200	4,200	4,200	4,200	4,200	
180	32.5	3,500	3,500	3,500	3,500	3,500	3,500	3,500	3,500	3,500	3,500	3,500	3,500	3,500	
190	27.0	2,700	2,700	2,700	2,700	2,700	2,700	2,700	2,700	2,700	2,700	2,700	2,700	2,700	
200	20.2	2,100	2,100	2,100	2,100	2,100	2,100	2,100	2,100	2,100	2,100	2,100	2,100	2,100	
210	9.6	--	--	3,600	4,200	4,300*	4,200	4,300*	4,300*	4,200	4,300*	4,300*	4,400	4,000	
41	80.0	43,500*	43,500*	43,500*	43,500*	43,500*	43,500*	43,500*	43,500*	43,500*	43,500*	43,500*	43,500*	43,500*	
50	77.7	41,400*	41,400*	41,400*	41,400*	41,400*	41,400*	41,400*	41,400*	41,400*	41,400*	41,400*	41,400*	41,400*	
60	75.0	33,500	33,500	33,500	33,500	33,500	33,500	33,500	33,500	33,500	33,500	33,500	33,500	33,500	
70	72.3	26,200	26,200	26,200	26,200	26,200	26,200	26,200	26,200	26,200	26,200	26,200	26,200	26,200	
80	69.5	21,400	21,400	21,400	21,400	21,400	21,400	21,400	21,400	21,400	21,400	21,400	21,400	21,400	
90	66.7	17,500	17,500	17,500	17,500	17,500	17,500	17,500	17,500	17,500	17,500	17,500	17,500	17,500	
100	63.8	14,500	14,500	14,500	14,500	14,500	14,500	14,500	14,500	14,500	14,500	14,500	14,500	14,500	

Lift Crane Capacities - On Outriggers

Boom Length (ft.)	Load Radius (ft.)	Boom Angle (degree)	Capacities (lbs.) - On Outriggers Over Rear						Capacities (lbs.) - On Outriggers 360 Degree Rotation					
			0 + 0	"A" + 0	"AB" + 0	"AB" + "A"	"ABC" + 0	"ABC" + "A"	0 + 0	"A" + 0	"AB" + 0	"AB" + "A"	"ABC" + 0	"ABC" + "A"
			ctwt.	ctwt.	ctwt.	ctwt.	ctwt.	ctwt.	ctwt.	ctwt.	ctwt.	ctwt.	ctwt.	ctwt.
220' (67.06 m)	110	60.9	←	←	12,100	16,100	17,500	19,800*	←	←	10,400	11,600	15,900	17,100
	120	57.9	←	←	10,100	13,800	15,000	17,200*	←	←	8,500	9,600	13,600	14,700
	130	54.7	←	←	8,500	11,800	13,000	15,100*	←	←	7,000	8,000	11,600	12,700
	140	51.5	←	←	7,100	10,200	11,200	13,100*	←	←	5,700	6,700	10,000	10,900
	150	48.1	←	←	5,900	8,800	9,700	11,400*	←	←	4,600	5,500	8,600	9,500
	160	44.5	←	←	4,900	7,600	8,500	9,800*	←	←	3,700	4,500	7,400	8,200
	170	40.6	←	←	3,900	6,500	7,300	8,400*	←	←	2,900	3,600	6,300	7,100
	180	36.4	←	←	3,200	5,500	6,300	7,200*	←	←	2,100	2,800	5,400	6,100
	190	31.8	←	←	2,400	4,700	5,400	6,100*	←	←	--	2,100	4,500	5,200
	200	26.4	←	←	--	3,900	4,700	5,100*	←	←	--	--	3,800	4,400
	210	19.8	←	←	--	3,300	3,900	4,200*	←	←	--	--	3,100	3,700
	220	9.4	←	←	--	2,700	3,300*	3,300*	←	←	--	--	2,500	3,100
230' (70.10 m)	43	80.0	←	←	←	38,700*	38,700*	38,700*	←	←	←	38,700*	38,700*	38,700*
	50	78.2	←	←	←	36,700*	36,700*	36,700*	←	←	←	36,700*	36,700*	36,700*
	60	75.6	←	←	←	33,100*	33,100*	33,100*	←	←	←	33,100*	33,100*	33,100*
	70	73.1	←	←	←	29,700*	29,700*	29,700*	←	←	←	29,700*	29,700*	29,700*
	80	70.4	←	←	←	26,600*	26,600*	26,600*	←	←	←	26,600*	26,600*	26,600*
	90	67.8	←	←	←	23,700	23,700	23,900*	←	←	←	20,500	22,100	23,300
	100	65.0	←	←	←	18,700	20,200	20,500*	←	←	←	13,700	18,500	19,800
	110	62.3	←	←	←	15,900	17,200	17,800*	←	←	←	11,300	15,600	16,800
	120	59.4	←	←	←	13,500	14,700	15,400*	←	←	←	9,400	13,300	14,400
	130	56.5	←	←	←	11,600	12,700	13,300*	←	←	←	7,700	11,300	12,400
	140	53.4	←	←	←	9,900	10,900	11,500*	←	←	←	6,400	9,700	10,600
	150	50.3	←	←	←	8,500	9,400	9,400	11,500*	←	←	5,200	8,300	9,200
160	46.9	←	←	←	7,300	8,200	8,200	8,400*	←	←	4,200	7,100	7,900	
170	43.4	←	←	←	6,200	7,000	7,000	7,100*	←	←	3,300	6,000	6,800	
180	39.7	←	←	←	5,200	6,000*	6,000*	6,000*	←	←	2,500	5,100	5,800	
190	35.6	←	←	←	4,400	4,900*	4,900*	4,900*	←	←	--	4,200	4,900	
200	31.0	←	←	←	3,600	4,000*	4,000*	4,000*	←	←	--	3,500	4,000*	
210	25.8	←	←	←	3,000	3,100*	3,100*	3,100*	←	←	--	2,800	3,100*	
220	19.3	←	←	←	2,400	2,400*	2,400*	2,400*	←	←	--	2,200	2,400*	
230	9.2	←	←	←	--	--	--	--	←	←	--	--	--	
240' (73.15 m)	45	80.0	←	←	←	34,600*	34,600*	34,600*	←	←	←	34,600*	34,600*	34,600*
	50	78.7	←	←	←	33,100*	33,100*	33,100*	←	←	←	33,100*	33,100*	33,100*
	60	76.2	←	←	←	29,700*	29,700*	29,700*	←	←	←	29,700*	29,700*	29,700*
	70	73.8	←	←	←	26,600*	26,600*	26,600*	←	←	←	25,000	26,600*	26,600*
	80	71.3	←	←	←	23,700*	23,700*	23,700*	←	←	←	20,200	23,700*	23,700*
	90	68.7	←	←	←	20,800*	20,800*	20,800*	←	←	←	16,400	20,800*	20,800*
	100	66.1	←	←	←	18,400	18,500*	18,500*	←	←	←	13,400	18,200	18,500*
	110	63.5	←	←	←	15,600	15,900*	15,900*	←	←	←	11,000	15,300	15,900*
	120	60.8	←	←	←	13,200	13,600*	13,600*	←	←	←	9,100	13,000	13,600*
	130	58.0	←	←	←	11,300	11,700*	11,700*	←	←	←	7,400	11,700*	11,700*
	140	55.2	←	←	←	9,600	10,000*	10,000*	←	←	←	6,100	9,400	10,000*
	150	52.2	←	←	←	8,200	8,400*	8,400*	←	←	←	4,900	8,000	8,400*
160	49.1	←	←	←	7,000	7,100*	7,100*	←	←	←	3,900	6,800	7,100*	
180	42.5	←	←	←	5,800*	5,800*	5,800*	←	←	←	3,000	5,700	5,800*	
190	38.8	←	←	←	4,800*	4,800*	4,800*	←	←	←	2,200	4,800*	4,800*	
200	34.8	←	←	←	3,800*	3,800*	3,800*	←	←	←	--	3,800*	3,800*	
210	30.4	←	←	←	2,900*	2,900*	2,900*	←	←	←	--	2,900*	2,900*	
			←	←	←	2,100*	2,100*	2,100*	←	←	←	--	2,100*	2,100*

Pick & Carry Capacities

Boom Length (ft.)	Load Radius (ft.)	Boom Angle (degree)	Capacities (lbs.) - On Tires - 1 mph					
			Over Rear					
			0 + 0 ctwt.	"A" + 0 ctwt.	"AB" + 0 ctwt.	"AB" + "A" ctwt.	"ABC" + 0 ctwt.	"ABC" + "A" ctwt.
50' (15.24 m)	12	79.6	68,900	104,100	107,700*	111,000*	104,000*	↑
	13	78.4	61,100	92,400	104,000*	107,200*	100,400*	
	14	77.2	54,800	83,100	100,600*	103,700*	97,100*	
	15	76.1	49,500	75,400	97,400*	100,400*	94,000*	
	16	74.9	45,100	68,900	91,000	97,200*	91,000*	
	17	73.7	41,500	63,500	83,900	94,300*	88,300*	
	18	72.5	38,300	58,700	77,700	91,500*	85,700*	
	19	71.3	35,500	54,600	72,400	88,900*	83,200*	
	20	70.1	33,100	51,000	67,700	85,600	80,900*	
	25	63.8	24,300	38,000	50,800	64,600	67,200	
	30	57.3	18,900	29,900	40,300	51,400	53,600	
	35	50.1	15,100	24,400	33,200	42,500	44,300	
40	42.2	12,400	20,500	27,900	36,000	37,600		
50	19.8	8,600	15,000	20,900	27,200	28,400		
60' (18.29 m)	13	80.0	58,800	89,000	102,200*	105,400*	98,700*	↑
	14	79.4	55,000	83,300	100,100*	103,200*	96,600*	
	15	78.4	49,700	75,500	96,900*	99,900*	93,500*	
	16	77.4	45,300	69,000	91,100	96,800*	90,600*	
	17	76.5	41,700	63,600	84,000	93,800*	87,900*	
	18	75.5	38,400	58,800	77,800	91,000*	85,300*	
	19	74.5	35,600	54,700	72,500	88,500*	82,800*	
	20	73.5	33,200	51,100	67,700	85,700	80,500*	
	25	68.4	24,300	38,100	50,800	64,600	67,300	
	30	63.2	18,900	30,000	40,400	51,500	53,600	
	35	57.7	15,200	24,500	33,200	42,600	44,400	
	40	51.9	12,400	20,500	28,000	36,100	37,600	
50	38.4	8,700	15,100	21,000	27,300	28,500		
60	18.1	6,300	11,500	16,300	21,600	22,500		
70' (21.34 m)	15	80.0	50,000	75,600	96,300*	99,300*	92,900*	N/A
	16	79.3	46,000	69,800	91,800	96,500*	90,300*	
	17	78.4	42,300	64,300	84,700	93,600*	87,700*	
	18	77.6	39,100	59,500	78,400	90,800*	85,100*	
	19	76.7	36,200	55,300	73,000	88,300*	82,600*	
	20	75.9	33,700	51,600	68,300	85,800*	80,300*	
	25	71.6	24,700	38,500	51,200	65,000	67,600	
	30	67.3	19,300	30,300	40,700	51,800	53,900	
	35	62.8	15,400	24,700	33,500	42,800	44,600	
	40	58.0	12,700	20,800	28,200	36,300	37,800	
	50	47.8	8,900	15,200	21,200	27,400	28,600	
	60	35.4	6,400	11,700	16,500	21,700	22,700	
70	16.7	4,600	9,100	13,200	17,600	18,500		
80' (24.38 m)	17	80.0	42,800	65,000	85,700	93,500*	87,500*	↑
	17	79.9	42,300	64,200	84,600	93,000*	87,100*	
	18	79.2	39,000	59,400	78,400	90,300*	84,500*	
	19	78.4	36,200	55,200	72,900	87,800*	82,100*	
	20	77.7	33,700	51,500	68,200	85,300*	79,700*	
	25	74.0	24,600	38,400	51,100	64,900	67,500	
	30	70.2	19,200	30,200	40,600	51,600	53,800	
	35	66.4	15,300	24,600	33,300	42,700	44,500	
	40	62.4	12,600	20,700	28,100	36,200	37,700	
	50	54.0	8,800	15,100	21,000	27,300	28,500	
	60	44.5	6,400	11,600	16,400	21,600	22,500	
	70	33.1	4,600	9,000	13,200	17,600	18,400	
80	15.6	3,300	7,100	10,700	14,600	15,300		
90' (27.43 m)	19	80.0	37,200	56,800	75,000	88,300*	82,500*	↓
	19	79.7	36,100	55,100	72,800	87,200*	81,500*	
	20	79.1	33,500	51,400	68,000	84,800*	79,200*	
	25	75.8	24,500	38,300	51,000	64,700	67,400	
	30	72.5	19,000	30,000	40,400	51,500	53,600	
	35	69.1	15,200	24,400	33,200	42,600	44,300	
	40	65.7	12,400	20,500	27,900	36,000	37,500	
	50	58.5	8,600	15,000	20,900	27,100	28,300	
	60	50.7	6,200	11,400	16,300	21,500	22,500	
	70	41.8	4,500	8,900	13,000	17,500	18,300	
	80	31.1	3,200	7,000	10,600	14,500	15,200	
	90	14.7	2,200	5,600	8,700	12,100	12,800	
100' (30.48 m)	20	80.0	32,700	50,200	66,600	83,400*	77,900*	80,500*
	25	77.3	24,300	38,100	50,800	64,600	67,200	71,000*
	30	74.3	18,900	29,900	40,300	51,300	53,400	63,000*
	35	71.3	15,000	24,300	33,000	42,400	44,200	53,400
	40	68.3	12,200	20,300	27,700	35,800	37,400	45,300

Pick & Carry Capacities

Boom Length (ft.)	Load Radius (ft.)	Boom Angle (degree)	Capacities (lbs.) - On Tires - 1 mph					
			Over Rear					
			0 + 0 ctwt.	"A" + 0 ctwt.	"AB" + 0 ctwt.	"AB" + "A" ctwt.	"ABC" + 0 ctwt.	"ABC" + "A" ctwt.
100' (30.48 m)	50	61.9	8,500	14,800	20,700	26,900	28,100	34,500
	60	55.2	6,000	11,200	16,100	21,300	22,300	27,400
	70	47.9	4,300	8,700	12,900	17,300	18,100	22,500
	80	39.6	3,000	6,900	10,500	14,300	15,000	18,900
	90	29.5	2,000	5,400	8,600	12,000	12,700	16,100
	100	14.0	--	4,300	7,100	10,100	10,700	13,800
110' (33.53 m)	22	80.0		44,900	59,600	75,400	73,700*	76,200*
	25	78.4		37,900	50,600	64,400	67,000	70,400*
	30	75.8		29,700	40,100	51,100	53,200	62,500*
	35	73.1		24,000	32,800	42,200	44,000	53,200
	40	70.3		20,100	27,500	35,600	37,100	45,100
	50	64.7		14,600	20,500	26,700	27,900	34,300
	60	58.8		11,000	15,900	21,100	22,100	27,200
	70	52.4		8,500	12,700	17,100	17,900	22,400
	80	45.5		6,700	10,300	14,100	14,800	18,700
	90	37.7		5,200	8,400	11,800	12,500	15,900
	100	28.1		4,100	6,900	10,000	10,600	13,600
110	13.3		3,100	5,700	8,500	9,000	11,800	
120' (36.58 m)	24	80.0		40,300	53,800	68,200	69,700*	72,100*
	25	79.4		37,700	50,400	64,200	66,800	69,900*
	30	77.0		29,500	39,900	50,800	53,000	61,900*
	35	74.5		23,800	32,600	41,900	43,700	52,900
	40	72.0		19,900	27,300	35,400	36,900	45,000
	50	66.9		14,400	20,300	26,500	27,700	34,000
	60	61.6		10,800	15,700	20,900	21,900	26,900
	70	56.0		8,300	12,400	16,900	17,700	22,100
	80	50.1		6,500	10,000	13,900	14,600	18,500
	90	43.5		5,000	8,200	11,600	12,300	15,700
	100	36.0		3,900	6,700	9,800	10,400	13,400
	110	26.9		3,000	5,500	8,300	8,800	11,600
120	12.7		2,200	4,500	7,000	7,500	10,100	
130' (39.62 m)	26	80.0		36,500	48,800	62,200	64,800	68,400*
	30	78.0		29,200	39,600	50,600	52,700	61,400*
	35	75.7		23,600	32,300	41,700	43,500	52,700
	40	73.4		19,700	27,000	35,100	36,700	44,800
	50	68.8		14,200	20,100	26,200	27,400	33,800
	60	64.0		10,600	15,400	20,700	21,700	26,700
	70	59.0		8,100	12,200	16,600	17,500	21,900
	80	53.7		6,200	9,800	13,700	14,400	18,200
	90	48.0		4,800	8,000	11,400	12,000	15,400
	100	41.7		3,700	6,500	9,600	10,100	13,200
	110	34.6		2,700	5,300	8,100	8,600	11,400
	120	25.8		2,000	4,300	6,800	7,300	9,900
	130	12.2		--	3,500	5,800	6,200	8,600
140' (42.67 m)	27	80.0			44,700	57,000	59,300	65,100*
	30	78.9			39,400	50,400	52,500	60,900*
	35	76.8			32,100	41,500	43,300	52,400
	40	74.7			26,800	34,900	36,400	44,500
	50	70.4			19,800	26,000	27,200	33,500
	60	66.0			15,200	20,400	21,400	26,400
	70	61.4			12,000	16,400	17,200	21,700
	80	56.6			9,600	13,400	14,200	18,000
	90	51.6			7,700	11,100	11,800	15,200
	100	46.1			6,300	9,300	9,900	13,000
	110	40.1			5,100	7,800	8,400	11,100
	120	33.3			4,100	6,600	7,100	9,600
	130	24.8			3,300	5,600	6,000	8,400
	140	11.8			2,500	4,700	5,100	7,300
150' (45.72 m)	29	80.0			41,000	52,400	54,600	61,800*
	30	79.6			39,200	50,100	52,200	60,300*
	35	77.7			31,900	41,200	43,000	52,200
	40	75.7			26,600	34,600	36,200	44,300
	50	71.7			19,600	25,700	26,900	33,300
	60	67.6			15,000	20,200	21,200	26,200
	70	63.4			11,700	16,100	17,000	21,400
	80	59.1			9,300	13,200	13,900	17,800
	90	54.5			7,500	10,900	11,500	14,900
	100	49.7			6,000	9,100	9,700	12,700
	110	44.5			4,800	7,600	8,100	10,900
	120	38.7			3,800	6,400	6,900	9,400

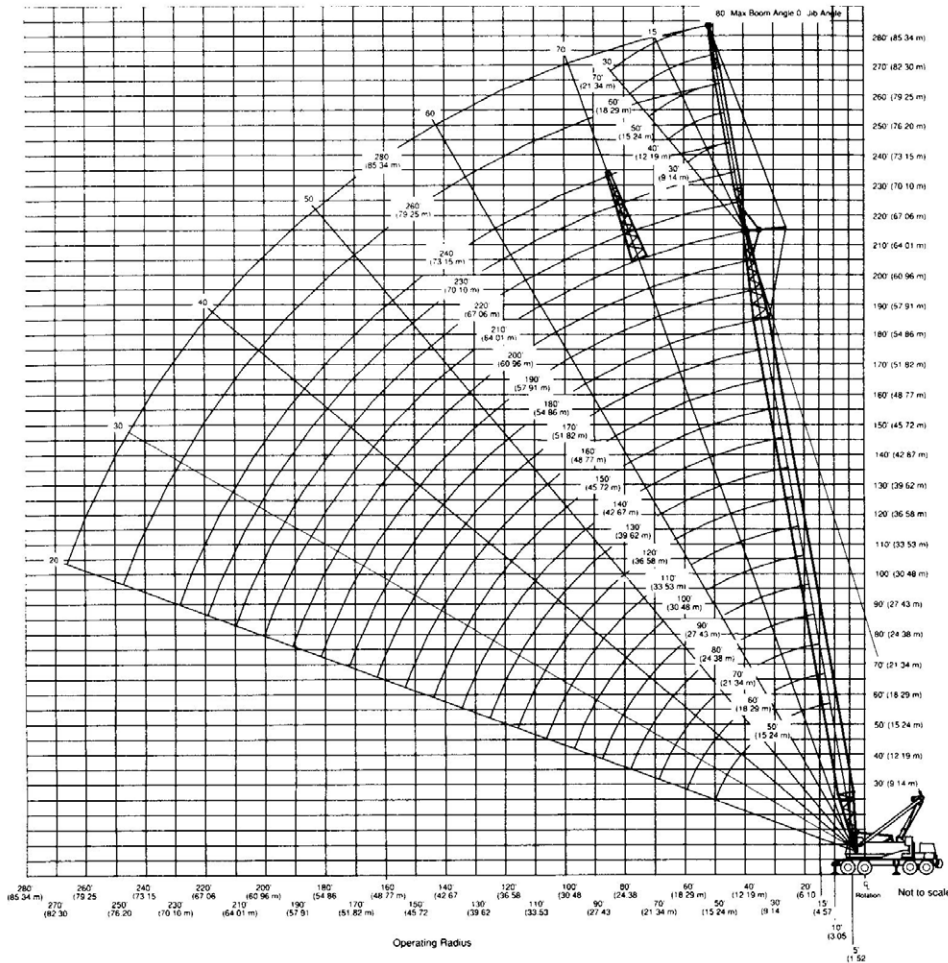
Pick & Carry Capacities

Boom Length (ft.)	Load Radius (ft.)	Boom Angle (degree)	Capacities (lbs.) - On Tires - 1 mph					
			Over Rear					
			0 + 0 ctwt.	"A" + 0 ctwt.	"AB" + 0 ctwt.	"AB" + "A" ctwt.	"ABC" + 0 ctwt.	"ABC" + "A" ctwt.
150' (45.72 m)	130	32.1	↑	↑	3,000	5,300	5,800	8,100
	140	24.0			2,300	4,500	4,900	7,000
	150	11.4			--	3,700	4,100	6,100
160' (48.77 m)	31	80.0	↑	↑	37,700	48,300	50,400	58,700*
	35	78.4			31,600	41,000	42,800	51,900
	40	76.6			26,300	34,400	35,900	44,000
	50	72.9			19,300	25,500	26,700	33,000
	60	69.1			14,700	19,900	20,900	25,900
	70	65.2			11,500	15,900	16,700	21,200
	80	61.2			9,100	12,900	13,700	17,500
	90	57.0			7,200	10,600	11,300	14,700
	100	52.7			5,800	8,800	9,400	12,400
	110	48.0			4,600	7,300	7,900	10,600
	120	43.0			3,600	6,100	6,600	9,100
	130	37.4			2,800	5,100	5,500	7,900
	140	31.1			2,100	4,200	4,600	6,800
150	23.2	--	3,400	3,800	5,800			
160	11.0	--	2,800	3,100	5,000			
170' (51.82 m)	32	80.0	↑	↑	44,700	46,700	55,900*	
	35	79.1			40,700	42,500	51,700	
	40	77.4			34,100	35,700	43,800	
	50	73.9			25,200	26,400	32,700	
	60	70.4			19,700	20,700	25,600	
	70	66.8			15,600	16,500	20,900	
	80	63.0			12,700	13,400	17,200	
	90	59.2			10,400	11,000	14,400	
	100	55.2			8,600	9,100	12,200	
	110	51.0			7,100	7,600	10,400	
	120	46.5			5,900	6,300	8,900	
	130	41.6			4,800	5,300	7,600	
	140	36.3			4,000	4,400	6,500	
150	30.1	3,200	3,600	5,600				
160	22.5	N/A	2,500	2,900	4,800			
170	10.7	N/A	--	2,300	4,000			
180' (54.86 m)	34	80.0	↑	↑	41,700	43,600	52,900	
	35	79.7			40,500	42,300	51,400	
	40	78.1			33,900	35,400	43,500	
	50	74.8			24,900	26,100	32,500	
	60	71.5			19,400	20,400	25,400	
	70	68.1			15,400	16,200	20,600	
	80	64.7			12,400	13,100	17,000	
	90	61.1			10,100	10,800	14,200	
	100	57.4			8,300	8,900	11,900	
	110	53.5			6,800	7,300	10,100	
	120	49.4			5,600	6,100	8,600	
	130	45.1			4,600	5,000	7,300	
	140	40.4			3,700	4,100	6,300	
150	35.2	2,900	3,300	5,300				
160	29.3	2,300	2,600	4,500				
170	21.9	--	2,000	3,800				
180	10.4	--	--	3,200				
190' (57.91 m)	36	80.0	↑	↑	--	40,600	49,400	
	40	78.8			--	35,200	43,200	
	50	75.7			--	25,900	32,200	
	60	72.5			--	20,100	25,100	
	70	69.3			--	16,000	20,400	
	80	66.1			--	12,900	16,700	
	90	62.7			--	10,500	13,900	
	100	59.3			--	8,600	11,700	
	110	55.7			--	7,100	9,800	
	120	52.0			--	5,800	8,300	
	130	48.0			--	4,700	7,100	
	140	43.8			--	3,800	6,000	
	150	39.3			--	3,000	5,100	
160	34.3	--	2,400	4,200				
170	28.5	--	--	3,500				
180	21.3	--	--	2,900				
190	10.1	--	--	2,300				
200' (60.96 m)	38	80.0	↑	↑	--	--	46,200	
	40	79.3			--	--	43,000	
	50	76.4			--	--	31,900	

Pick & Carry Capacities

Boom Length (ft.)	Load Radius (ft.)	Boom Angle (degree)	Capacities (lbs.) - On Tires - 1 mph					
			Over Rear					
			0 + 0 cwt.	"A" + 0 cwt.	"AB" + 0 cwt.	"AB" + "A" cwt.	"ABC" + 0 cwt.	"ABC" + "A" cwt.
200' (60.96 m)	60	73.4	↑	↑	↑	↑	↑	24,800
	70	70.4						20,100
	80	67.3						16,400
	90	64.2						13,600
	100	61.0						11,400
	110	57.6						9,600
	120	54.2						8,100
	130	50.6						6,800
	140	46.7						5,700
	150	42.7						4,800
	160	38.3						4,000
	170	33.4						3,300
180	27.7	2,600						
190	20.7	2,100						
200	9.9	--						
210' (64.01 m)	39	80.0	N/A	N/A	N/A	N/A	N/A	43,500
	40	79.8	↓	↓	↓	↓	↓	42,700
	50	77.1						31,700
	60	74.2						24,500
	70	71.4						19,800
	80	68.5						16,200
	90	65.5						13,300
	100	62.5						11,100
	110	59.4						9,300
	120	56.1						7,800
	130	52.8						6,500
	140	49.3						5,400
	150	45.6						4,500
	160	41.6						3,700
170	37.3	3,000						
180	32.5	2,300						
190	27.0	--						
200	20.2	--						
210	9.6	--						

Working Range and Lift Crane Notes



Note: Rated lifting capacities are based on correct reeving. Deductions must be made for excessive reeving. Any reeving over minimum required is considered excessive and must be accounted for when making lifts.

General:

1. Rated lifting capacities in pounds as shown on lift charts pertain to the crane as originally manufactured and normally equipped. Modifications to the crane or use of optional equipment other than that specified can result in a reduction of capacity.
2. Construction equipment can be dangerous if improperly operated or maintained. Operation and maintenance of the crane must be in compliance with the information in the Operator's, Parts and Safety Manuals supplied with the crane. If these manuals are missing, order replacements through the distributor.
3. The operator and other personnel associated with the crane shall read and fully understand the latest applicable American National Standards Institute (ANSI) safety standards for cranes.
4. The maximum allowable lifting capacities are based on crane standing level on firm supporting surface.

Set-Up:

1. The crane shall be leveled on a firm supporting surface. Depending on the nature of the supporting surface, it may be necessary to have structural supports under the pontoons to spread the load to a larger bearing surface.
2. For required parts of line, see wire rope strength and winch performance tables in Crane Rating Manual.

Lift Crane Operation:

1. Capacities shown are in pounds and are not more than 85% of the tipping loads on outriggers or 75% of the tipping loads on tires with the crane standing level on firm supporting surface. A deduction must be made from these capacities for weight of hook block, hook, sling, grapple, load weighing device, etc. When using main hook while jib is attached, reduce capacities by values shown in Crane Rating Manual. See Operator's Manual for all limitations when raising or lowering attachment.
2. The capacities marked with an asterisk (*) are based on factors other than those which would cause a tipping condition.

3. For recommended reeving, parts of line, wire rope type and wire rope inspection, see wire rope strength chart, Operator's Manual and Parts Manual.
4. Load ratings are based on freely suspended loads and make no allowances for such factors as the effect of the wind, ground conditions, and operating speeds. The operator shall therefore reduce load ratings in order to take these conditions into account.
5. The 26' (7.92 m) live mast must be used for all capacities listed.
6. The least stable rated condition is over the side.
7. The jib cannot be used on a boom longer than 210' (64.01 m).
8. Maximum main boom length without jib is 240' (73.15 m).
9. Do not operate at radii and boom lengths where the Crane Rating Manual lists no capacity. Do not use longer booms or jibs than those listed in the Crane Rating Manual. Any of the above can cause a tipping condition, or boom and jib failure.
10. These capacities apply only to the crane as originally manufactured and normally equipped by Link-Belt Construction Equipment Company.

Tubular Jib Capacities

62" x 70" (1.57 x 1.78 m) Tube Boom - 30" x 36" (.75 x .91 m) Tube Jib - 360° Rotation - "ABC" + "A" Counterweights

Boom Length (feet)	Jib Length (feet)	Jib Load Radius (feet)	Jib Angle to Boom								
			0 Degrees			15 Degrees			30 Degrees		
			Boom Angle (degree)	Jib Pt. Height (feet)	Jib Capacity (lbs.)	Boom Angle (degree)	Jib Pt. Height (feet)	Jib Capacity (lbs.)	Boom Angle (degree)	Jib Pt. Height (feet)	Jib Capacity (lbs.)
100' (30.48 m)	30	30	78.0	133.9	29,400*						
	30	35	75.7	132.7	28,800*	79.1	132.5	26,300*			
	30	40	73.4	131.3	28,100*	76.8	131.1	25,700*	79.8	129.4	22,200*
	30	50	68.8	127.8	26,800*	72.1	127.8	24,400*	75.0	126.0	20,000*
	30	60	64.0	123.4	25,500*	67.2	123.4	23,100*	70.1	121.6	18,300*
	30	70	59.0	118.0	24,100*	62.2	118.0	21,700*	64.9	116.1	17,000*
	30	80	53.7	111.3	22,700*	56.8	111.4	19,600*	59.4	109.3	15,800*
	30	90	48.0	103.1	20,800*	51.1	103.2	17,300*	53.5	100.9	14,900*
	30	100	41.7	93.0	18,300*	44.8	93.1	15,700*	46.9	90.4	14,100*
	30	110	34.6	80.2	15,900*	37.5	80.2	15,300*			
30	120	25.8	63.0	15,300*							
100' (30.48 m)	40	30	78.9	143.9	26,400*						
	40	35	76.8	142.8	25,900*						
	40	40	74.7	141.5	25,300*	78.8	141.1	23,200*			
	40	50	70.4	138.2	24,200*	74.5	138.0	21,300*	78.2	135.8	16,900*
	40	60	66.0	134.1	22,800*	70.0	134.0	19,300*	73.7	131.8	15,400*
	40	70	61.4	129.1	20,800*	65.4	129.1	17,300*	68.9	126.7	14,000*
	40	80	56.6	123.0	18,700*	60.6	123.1	15,600*	64.0	120.6	12,500*
	40	90	51.6	115.6	16,500*	55.5	115.8	14,000*	58.7	113.1	11,500*
	40	100	46.1	106.8	14,800*	50.0	107.0	12,300*	53.0	104.0	10,900*
	40	110	40.1	96.0	13,000*	43.9	96.2	11,400*			
40	120	33.3	82.5	11,500*	36.9	82.5	10,600*				
40	130	24.8	64.4	10,600*							
100' (30.48 m)	50	30	79.6	154.0	24,000*						
	50	35	77.7	153.0	23,400*						
	50	40	75.7	151.8	22,900*						
	50	50	71.7	148.7	21,900*	76.6	148.5	19,300*			
	50	60	67.6	144.9	20,800*	72.5	144.8	17,100*	76.8	142.3	12,300*
	50	70	63.4	140.3	18,700*	68.2	140.3	14,700*	72.4	137.7	11,200*
	50	80	59.1	134.7	16,300*	63.8	134.8	12,300*	67.9	132.1	10,000*
	50	90	54.5	128.0	13,800*	59.2	128.3	11,200*	63.1	125.4	8,800*
	50	100	49.7	120.1	11,800*	54.3	120.5	9,900*	58.0	117.3	8,100*
	50	110	44.5	110.7	10,500*	49.0	111.1	8,600*	52.5	107.6	7,500*
	50	120	38.7	99.4	9,000*	43.1	99.7	7,900*			
	50	130	32.1	85.2	8,000*	36.4	85.3	7,200*			
50	140	24.0	66.3	7,200*							
100' (30.48 m)	60	35	78.4	163.3	21,200*						
	60	40	76.6	162.2	20,700*						
	60	50	72.9	159.4	19,800*	78.4	159.2	18,000*			
	60	60	69.1	155.9	18,700*	74.5	155.9	15,800*	79.6	153.1	10,800*
	60	70	65.2	151.6	17,400*	70.6	151.7	13,400*	75.5	148.9	8,800*
	60	80	61.2	146.5	15,000*	66.6	146.7	11,000*	71.3	143.9	7,900*
	60	90	57.0	140.4	12,500*	62.4	140.8	8,800*	67.0	137.8	7,000*
	60	100	52.7	133.3	9,900*	57.9	133.8	7,900*	62.4	130.6	6,100*
	60	110	48.0	124.9	8,300*	53.2	125.5	7,000*	57.5	122.0	5,700*
	60	120	43.0	115.0	7,300*	48.1	115.6	5,900*	52.1	111.6	5,300*
	60	130	37.4	103.1	6,200*	42.4	103.6	5,600*			
	60	140	31.1	88.4	5,600*	35.9	88.7	5,100*			
60	150	23.2	68.8	5,100*							
100' (30.48m)	70	35	79.1	173.7	18,700*						
	70	40	77.4	172.7	18,200*						
	70	50	73.9	170.1	17,300*	80.0	170.1	15,700*			

Tubular Jib Capacities - 360° Rotation - "ABC" + "A" Counterweights

Boom Length (feet)	Jib Length (feet)	Jib Load Radius (feet)	Jib Angle to Boom								
			0 Degrees			15 Degrees			30 Degrees		
			Boom Angle (degree)	Jib Pt. Height (feet)	Jib Capacity (lbs.)	Boom Angle (degree)	Jib Pt. Height (feet)	Jib Capacity (lbs.)	Boom Angle (degree)	Jib Pt. Height (feet)	Jib Capacity (lbs.)
100' <i>(30.48 m)</i>	70	60	70.4	166.9	16,400*	76.4	167.1	14,600*			
	70	70	66.8	163.0	15,400*	72.7	163.3	12,900*	78.2	160.4	9,200*
	70	80	63.0	158.3	14,000*	69.0	158.7	11,100*	74.3	155.8	7,700*
	70	90	59.2	152.8	12,200*	65.1	153.4	9,300*	70.3	150.3	6,900*
	70	100	55.2	146.3	10,300*	61.0	147.0	7,700*	66.1	143.8	6,100*
	70	110	51.0	138.8	8,300*	56.8	139.6	6,900*	61.7	136.2	5,200*
	70	120	46.5	130.0	7,200*	52.2	130.9	6,000*	56.9	127.1	4,700*
	70	130	41.6	119.7	6,300*	47.3	120.5	5,000*	51.7	116.2	4,400*
	70	140	36.3	107.3	5,200*	41.8	108.1	4,600*	45.8	102.9	4,000*
	70	150	30.1	92.0	4,600*	35.5	92.5	4,200*			
	70	160	22.5	71.8	4,100*						
110' <i>(33.53 m)</i>	30	30	78.9	144.1	29,700*						
	30	35	76.8	143.0	29,100*	79.9	142.7	26,500*			
	30	40	74.7	141.7	28,500*	77.8	141.5	25,900*			
	30	50	70.4	138.5	27,300*	73.4	138.4	24,800*	76.2	136.6	20,400*
	30	60	66.0	134.5	26,000*	69.0	134.4	23,600*	71.6	132.6	18,800*
	30	70	61.4	129.5	24,800*	64.4	129.5	22,400*	66.9	127.6	17,400*
	30	80	56.6	123.5	23,500*	59.6	123.5	20,700*	62.0	121.5	16,300*
	30	90	51.6	116.2	22,200*	54.5	116.3	18,600*	56.8	114.1	15,300*
	30	100	46.1	107.4	20,100*	49.0	107.5	16,400*	51.1	105.1	14,600*
	30	110	40.1	96.7	17,700*	42.9	96.8	15,600*			
	30	120	33.3	83.3	15,800*	36.0	83.2	15,200*			
	30	130	24.8	65.2	15,200*						
110' <i>(33.53 m)</i>	40	30	79.6	154.1	26,600*						
	40	35	77.7	153.0	26,100*						
	40	40	75.7	151.8	25,600*	79.6	151.4	23,400*			
	40	50	71.7	148.8	24,500*	75.6	148.6	21,800*	79.1	146.3	17,100*
	40	60	67.6	145.0	23,500*	71.5	144.9	20,000*	74.9	142.6	15,700*
	40	70	63.4	140.4	21,700*	67.2	140.3	18,100*	70.5	138.0	14,500*
	40	80	59.1	134.8	19,800*	62.8	134.8	16,300*	66.0	132.4	13,100*
	40	90	54.5	128.2	17,800*	58.2	128.3	14,900*	61.3	125.7	11,800*
	40	100	49.7	120.3	16,000*	53.3	120.5	13,300*	56.2	117.6	11,300*
	40	110	44.5	110.9	14,300*	48.1	111.1	11,900*	50.7	107.9	10,600*
	40	120	38.7	99.6	12,500*	42.2	99.7	11,200*			
	40	130	32.1	85.4	11,400*	35.5	85.4	10,400*			
	40	140	24.0	66.6	10,500*						
110' <i>(33.53 m)</i>	50	35	78.4	163.2	23,700*						
	50	40	76.6	162.1	23,200*						
	50	50	72.9	159.3	22,200*	77.4	159.0	19,800*			
	50	60	69.1	155.7	21,200*	73.6	155.6	17,700*	77.7	152.9	12,600*
	50	70	65.2	151.4	19,700*	69.7	151.4	15,600*	73.7	148.7	11,500*
	50	80	61.2	146.3	17,500*	65.7	146.3	13,300*	69.5	143.6	10,400*
	50	90	57.0	140.2	15,200*	61.4	140.3	11,700*	65.2	137.4	9,300*
	50	100	52.7	133.0	12,800*	57.0	133.3	10,600*	60.6	130.2	8,400*
	50	110	48.0	124.7	11,400*	52.3	124.9	9,400*	55.7	121.6	7,900*
	50	120	43.0	114.7	10,100*	47.2	115.0	8,400*	50.4	111.2	7,300*
	50	130	37.4	102.8	8,700*	41.6	103.0	7,800*			
	50	140	31.1	88.0	7,900*	35.0	88.0	7,100*			
	50	150	23.2	68.4	7,100*						
110' <i>(33.53 m)</i>	60	35	79.1	173.5	21,400*						
	60	40	77.4	172.5	21,000*						
	60	50	73.9	169.8	20,000*	79.1	169.6	18,200*			

Link-Belt (Truck Mount) Lattice Boom Truck Crane (LBT)

Boom Length (feet)	Jib Length (feet)	Jib Load Radius (feet)	Jib Angle to Boom								
			0 Degrees			15 Degrees			30 Degrees		
			Boom Angle (degree)	Jib Pt. Height (feet)	Jib Capacity (lbs.)	Boom Angle (degree)	Jib Pt. Height (feet)	Jib Capacity (lbs.)	Boom Angle (degree)	Jib Pt. Height (feet)	Jib Capacity (lbs.)
110' (33.53 m)	60	60	70.4	166.5	19,100*	75.5	166.5	16,400*			
	60	70	66.8	162.6	18,100*	71.9	162.6	14,200*	76.5	159.7	8,900*
	60	80	63.0	157.8	16,100*	68.1	158.0	11,900*	72.6	155.0	8,200*
	60	90	59.2	152.2	13,800*	64.2	152.5	9,600*	68.6	149.5	7,400*
	60	100	55.2	145.7	11,400*	60.2	146.1	8,300*	64.4	142.9	6,500*
	60	110	51.0	138.1	8,900*	55.9	138.6	7,500*	60.0	135.1	5,800*
	60	120	46.5	129.3	8,000*	51.3	129.8	6,600*	55.2	126.0	5,500*
	60	130	41.6	118.9	7,100*	46.4	119.4	5,800*	50.0	115.1	5,200*
	60	140	36.3	106.4	6,000*	40.9	106.9	5,500*			
	60	150	30.1	91.1	5,500*	34.6	91.2	5,000*			
	60	160	22.5	70.8	5,000*						
110' (33.53 m)	70	35	79.7	183.9	18,900*						
	70	40	78.1	182.9	18,400*						
	70	50	74.8	180.5	17,500*						
	70	60	71.5	177.5	16,700*	77.2	177.5	15,000*			
	70	70	68.1	173.8	15,800*	73.8	174.0	13,400*	79.0	171.0	9,500*
	70	80	64.7	169.4	14,700*	70.3	169.8	11,700*	75.3	166.7	7,900*
	70	90	61.1	164.3	13,100*	66.6	164.8	10,000*	71.6	161.7	7,200*
	70	100	57.4	158.3	11,300*	62.9	158.9	8,300*	67.7	155.7	6,400*
	70	110	53.5	151.4	9,500*	59.0	152.1	7,300*	63.7	148.7	5,600*
	70	120	49.4	143.5	7,800*	54.9	144.2	6,500*	59.4	140.5	4,900*
	70	130	45.1	134.2	6,900*	50.5	135.0	5,600*	54.8	130.9	4,600*
	70	140	40.4	123.4	6,000*	45.7	124.2	4,900*	49.7	119.4	4,200*
	70	150	35.2	110.5	5,000*	40.4	111.2	4,500*			
	70	160	29.3	94.6	4,600*	34.2	95.0	4,100*			
	70	170	21.9	73.7	4,100*						
130' (39.62 m)	30	35	78.4	163.5	29,600*						
	30	40	76.6	162.4	29,100*	79.3	162.1	26,400*			
	30	50	72.9	159.6	28,000*	75.6	159.4	25,400*	78.0	157.6	21,100*
	30	60	69.1	156.1	26,900*	71.8	156.0	24,300*	74.1	154.2	19,500*
	30	70	65.2	151.9	25,800*	67.9	151.8	23,300*	70.2	149.9	18,200*
	30	80	61.2	146.8	24,700*	63.8	146.8	22,200*	66.0	144.9	17,100*
	30	90	57.0	140.8	23,600*	59.6	140.9	20,700*	61.7	138.8	16,200*
	30	100	52.7	133.8	22,000	55.2	133.8	18,900*	57.2	131.6	15,400*
	30	110	48.0	125.4	19,100	50.5	125.5	17,000*	52.4	123.1	14,700*
	30	120	43.0	115.6	16,700	45.5	115.6	15,800*	47.2	112.9	14,100*
	30	130	37.4	103.7	14,700	39.8	103.7	14,900			
	30	140	31.1	89.0	13,000	33.4	88.8	13,200			
	30	150	23.2	69.5	11,600						
130' (39.62 m)	40	35	79.1	173.5	26,500*						
	40	40	77.4	172.4	26,100*						
	40	50	73.9	169.8	25,100*	77.3	169.4	22,600*			
	40	60	70.4	166.5	24,200*	73.8	166.2	21,000*	76.8	163.8	16,200*
	40	70	66.8	162.5	23,200*	70.1	162.3	19,400*	73.1	159.9	15,100*
	40	80	63.0	157.7	21,600*	66.4	157.6	17,700*	69.2	155.1	14,100*
	40	90	59.2	152.1	19,900*	62.5	152.1	16,200*	65.3	149.5	12,900*
	40	100	55.2	145.6	18,100*	58.5	145.7	14,900*	61.1	142.9	11,800*
	40	110	51.0	138.0	16,400*	54.2	138.1	13,600*	56.7	135.2	11,300*
	40	120	46.5	129.2	15,000*	49.7	129.3	12,200*	52.0	126.1	10,800*
	40	130	41.6	118.8	13,400*	44.8	118.8	11,500*			
	40	140	36.3	106.3	11,900*	39.3	106.3	10,900*			
	40	150	30.1	91.0	11,200*						
40	160	22.5	70.7	10,300*							

Tubular Jib Capacities - 360° Rotation - "ABC" + "A" Counterweights

Boom Length (feet)	Jib Length (feet)	Jib Load Radius (feet)	Jib Angle to Boom								
			0 Degrees			15 Degrees			30 Degrees		
			Boom Angle (degree)	Jib Pt. Height (feet)	Jib Capacity (lbs.)	Boom Angle (degree)	Jib Pt. Height (feet)	Jib Capacity (lbs.)	Boom Angle (degree)	Jib Pt. Height (feet)	Jib Capacity (lbs.)
130' (39.62 m)	50	35	79.7	183.6	24,000*						
	50	40	78.1	182.6	23,600*						
	50	50	74.8	180.1	22,700*	78.9	179.7	20,600*			
	50	60	71.5	177.0	21,800*	75.5	176.7	18,700*	79.2	173.9	13,500*
	50	70	68.1	173.3	20,900*	72.1	173.1	16,900*	75.7	170.2	12,000*
	50	80	64.7	168.8	19,400*	68.6	168.7	15,000*	72.1	165.8	11,100*
	50	90	61.1	163.6	17,400*	65.0	163.6	13,000*	68.4	160.6	10,100*
	50	100	57.4	157.5	15,400*	61.3	157.6	11,700*	64.5	154.6	9,200*
	50	110	53.5	150.6	13,300*	57.4	150.7	10,700*	60.5	147.5	8,400*
	50	120	49.4	142.5	11,700*	53.3	142.7	9,700*	56.3	139.2	7,900*
	50	130	45.1	133.2	10,700*	48.9	133.4	8,600*	51.7	129.6	7,400*
	50	140	40.4	122.3	9,500*	44.1	122.5	8,000*			
	50	150	35.2	109.3	8,400*	38.8	109.4	7,500*			
	50	160	29.3	93.4	7,700*						
50	170	21.9	72.4	7,000*							
130' (39.62 m)	60	40	78.8	192.9	21,300*						
	60	50	75.7	190.6	20,500*						
	60	60	72.5	187.7	19,700*	77.1	187.4	17,300*			
	60	70	69.3	184.2	18,800*	73.9	184.1	15,400*	78.0	181.0	9,900*
	60	80	66.1	180.0	17,400*	70.6	180.0	13,400*	74.7	176.9	8,600*
	60	90	62.7	175.1	15,900*	67.2	175.3	11,400*	71.2	172.1	7,900*
	60	100	59.3	169.5	13,800*	63.8	169.8	9,300*	67.6	166.5	7,200*
	60	110	55.7	163.1	11,700*	60.1	163.4	8,300*	63.9	160.0	6,400*
	60	120	52.0	155.7	9,500*	56.4	156.1	7,600*	60.0	152.5	5,800*
	60	130	48.0	147.3	8,300*	52.4	147.7	6,800*	55.8	143.7	5,600*
	60	140	43.8	137.5	7,500*	48.1	138.0	5,900*	51.4	133.6	5,300*
	60	150	39.3	126.2	6,600*	43.5	126.6	5,600*			
	60	160	34.3	112.8	5,800*	38.3	113.0	5,300*			
	60	170	28.5	96.3	5,400*						
60	180	21.3	74.7	5,000*							
130' (39.62 m)	70	40	79.3	203.3	18,700*						
	70	50	76.4	201.2	18,000*						
	70	60	73.4	198.5	17,200*	78.5	198.4	15,300*			
	70	70	70.4	195.2	16,400*	75.5	195.2	14,200*			
	70	80	67.3	191.3	15,500*	72.4	191.5	12,700*	77.0	188.3	8,700*
	70	90	64.2	186.8	14,100*	69.2	187.1	11,300*	73.7	183.8	7,600*
	70	100	61.0	181.6	12,900*	66.0	182.0	9,700*	70.4	178.6	6,900*
	70	110	57.6	175.7	11,500*	62.6	176.2	8,200*	66.9	172.7	6,200*
	70	120	54.2	168.9	9,800*	59.1	169.5	7,300*	63.3	165.8	5,500*
	70	130	50.6	161.2	8,200*	55.4	161.9	6,600*	59.4	157.9	4,900*
	70	140	46.7	152.4	7,300*	51.6	153.1	5,800*	55.4	148.8	4,600*
	70	150	42.7	142.3	6,500*	47.4	143.0	5,000*	51.1	138.1	4,300*
	70	160	38.3	130.5	5,600*	42.9	131.2	4,700*	46.3	125.6	4,000*
	70	170	33.4	116.7	4,800*	37.9	117.1	4,300*			
70	180	27.7	99.7	4,500*							
70	190	20.7	77.5	4,000*							
150' (45.72 m)	30	35	79.7	183.9	29,900*						
	30	40	78.1	182.9	29,500*						
	30	50	74.8	180.4	28,500*	77.3	180.2	25,800*	79.4	178.3	21,700*
	30	60	71.5	177.4	27,600*	73.9	177.2	24,900*	76.0	175.3	20,200*
	30	70	68.1	173.7	26,600*	70.5	173.6	24,000*	72.6	171.6	18,900*
	30	80	64.7	169.3	25,600*	67.0	169.2	23,100*	69.0	167.3	17,800*
	30	90	61.1	164.2	24,700*	63.4	164.1	22,100*	65.3	162.1	16,900*

Link-Belt (Truck Mount) Lattice Boom Truck Crane (LBT)

Boom Length (feet)	Jib Length (feet)	Jib Load Radius (feet)	Jib Angle to Boom								
			0 Degrees			15 Degrees			30 Degrees		
			Boom Angle (degree)	Jib Pt. Height (feet)	Jib Capacity (lbs.)	Boom Angle (degree)	Jib Pt. Height (feet)	Jib Capacity (lbs.)	Boom Angle (degree)	Jib Pt. Height (feet)	Jib Capacity (lbs.)
150' (45.72 m)	30	100	57.4	158.2	21,400	59.7	158.2	20,700*	61.5	156.1	16,100*
	30	110	53.5	151.3	18,500	55.8	151.3	18,900	57.6	149.0	15,400*
	30	120	49.4	143.3	16,100	51.7	143.3	16,500	53.4	140.9	14,700*
	30	130	45.1	134.0	14,200	47.3	134.1	14,400	48.9	131.4	14,200*
	30	140	40.4	123.2	12,500	42.6	123.2	12,700			
	30	150	35.2	110.3	11,000	37.3	110.2	11,200			
	30	160	29.3	94.4	9,800						
	30	170	21.9	73.5	8,700						
150' (45.72 m)	40	40	78.8	192.9	26,400*						
	40	50	75.7	190.5	25,600*	78.7	190.1	23,200*			
	40	60	72.5	187.6	24,800*	75.6	187.3	21,800*	78.3	184.8	16,700*
	40	70	69.3	184.1	23,900*	72.4	183.8	20,400*	75.0	181.3	15,600*
	40	80	66.1	179.9	22,900*	69.1	179.7	18,900*	71.7	177.2	14,700*
	40	90	62.7	175.1	21,400*	65.7	175.0	17,400*	68.2	172.4	13,800*
	40	100	59.3	169.5	19,900*	62.2	169.4	16,100*	64.7	166.7	12,700*
	40	110	55.7	163.0	18,300*	58.6	163.0	15,000*	61.0	160.2	11,800*
	40	120	52.0	155.6	16,300	54.9	155.7	13,800*	57.1	152.7	11,400*
	40	130	48.0	147.2	14,300	50.9	147.2	12,600*	53.0	144.0	10,900*
	40	140	43.8	137.4	12,600	46.6	137.5	11,700*	48.6	134.0	10,400*
	40	150	39.3	126.1	11,200	42.0	126.1	11,200*			
	40	160	34.3	112.6	10,000	36.9	112.5	10,200			
	40	170	28.5	96.2	8,900						
150' (45.72 m)	50	40	79.3	203.0	23,900*						
	50	50	76.4	200.8	23,100*						
	50	60	73.4	198.0	22,300*	77.1	197.6	19,600*			
	50	70	70.4	194.7	21,500*	74.0	194.4	17,900*	77.2	191.5	12,400*
	50	80	67.3	190.7	20,200*	70.9	190.5	16,200*	74.1	187.6	11,600*
	50	90	64.2	186.2	18,600*	67.8	186.1	14,500*	70.8	183.0	10,700*
	50	100	61.0	180.9	17,200*	64.5	180.9	12,700*	67.5	177.8	9,900*
	50	110	57.6	174.9	15,500*	61.1	174.9	11,700*	64.1	171.7	9,000*
	50	120	54.2	168.0	13,600*	57.6	168.1	10,800*	60.5	164.8	8,400*
	50	130	50.6	160.3	12,000*	54.0	160.4	9,900*	56.7	156.8	8,000*
	50	140	46.7	151.4	11,100*	50.1	151.5	8,900*	52.7	147.7	7,500*
	50	150	42.7	141.2	10,000*	46.0	141.3	8,200*	48.4	137.1	7,100*
	50	160	38.3	129.4	8,900*	41.5	129.5	7,800*			
	50	170	33.4	115.5	8,200*	36.5	115.4	7,200*			
	50	180	27.7	98.4	7,600*						
150' (45.72 m)	60	40	79.8	213.3	21,600*						
	60	50	77.1	211.2	20,900*						
	60	60	74.2	208.6	20,100*	78.4	208.2	18,000*			
	60	70	71.4	205.4	19,300*	75.5	205.2	16,400*	79.3	202.0	10,600*
	60	80	68.5	201.7	17,800*	72.6	201.6	14,600*	76.3	198.4	8,900*
	60	90	65.5	197.4	16,300*	69.6	197.4	12,800*	73.2	194.1	8,300*
	60	100	62.5	192.5	15,000*	66.5	192.6	11,000*	70.1	189.2	7,700*
	60	110	59.4	186.9	13,800*	63.4	187.0	9,100*	66.8	183.6	7,000*
	60	120	56.1	180.5	11,900*	60.1	180.7	8,300*	63.5	177.1	6,300*
	60	130	52.8	173.3	9,900*	56.7	173.6	7,700*	60.0	169.8	5,800*
	60	140	49.3	165.1	8,600*	53.2	165.5	7,000*	56.3	161.4	5,600*
	60	150	45.6	155.9	7,800*	49.4	156.2	6,200*	52.4	151.8	5,300*
	60	160	41.6	145.3	7,000*	45.4	145.7	5,800*	48.2	140.7	5,100*
	60	170	37.3	133.1	6,200*	41.0	133.4	5,500*			
60	180	32.5	118.7	5,700*	36.2	118.8	5,200*				
	60	190	27.0	101.2	5,300*						

Tubular Jib Capacities - 360° Rotation - "ABC" + "A" Counterweights

Boom Length (feet)	Jib Length (feet)	Jib Load Radius (feet)	Jib Angle to Boom										
			0 Degrees			15 Degrees			30 Degrees				
			Boom Angle (degree)	Jib Pt. Height (feet)	Jib Capacity (lbs.)	Boom Angle (degree)	Jib Pt. Height (feet)	Jib Capacity (lbs.)	Boom Angle (degree)	Jib Pt. Height (feet)	Jib Capacity (lbs.)		
150' (45.72 m)	70	50	77.7	221.7	18,300*								
	70	60	75.0	219.3	17,600*	79.6	219.0	15,600*					
	70	70	72.3	216.3	16,900*	76.9	216.2	14,800*					
	70	80	69.5	212.8	16,000*	74.1	212.9	13,500*	78.3	209.5	9,200*		
	70	90	66.7	208.8	14,500*	71.3	208.9	12,200*	75.4	205.5	7,900*		
	70	100	63.8	204.2	13,200*	68.4	204.4	10,900*	72.4	200.9	7,300*		
	70	110	60.9	198.9	12,100*	65.4	199.3	9,500*	69.3	195.7	6,700*		
	70	120	57.9	193.0	11,100*	62.3	193.5	8,000*	66.2	189.7	6,100*		
	70	130	54.7	186.3	10,100*	59.2	186.9	7,400*	62.9	182.9	5,400*		
	70	140	51.5	178.8	8,600*	55.9	179.4	6,700*	59.5	175.2	4,900*		
	70	150	48.1	170.4	7,500*	52.4	171.0	6,000*	55.9	166.5	4,600*		
	70	160	44.5	160.8	6,800*	48.8	161.4	5,300*	52.1	156.5	4,400*		
	70	170	40.6	149.9	6,000*	44.9	150.4	4,800*	48.0	145.0	4,100*		
	70	180	36.4	137.3	5,200*	40.6	137.7	4,500*					
70	190	31.8	122.5	4,700*	35.8	122.7	4,200*						
70	200	26.4	104.5	4,400*									
170' (51.82 m)	30	40	79.3	203.3	29,800*								
	30	50	76.4	201.1	29,000*	78.6	200.8	26,200*					
	30	60	73.4	198.4	28,100*	75.6	198.1	25,400*	77.5	196.2	20,700*		
	30	70	70.4	195.1	27,300*	72.6	194.9	24,500*	74.4	193.0	19,500*		
	30	80	67.3	191.2	26,400*	69.5	191.1	23,700*	71.3	189.1	18,400*		
	30	90	64.2	186.7	24,300	66.3	186.6	22,900*	68.1	184.6	17,500*		
	30	100	61.0	181.5	20,900	63.1	181.4	21,400	64.8	179.4	16,700*		
	30	110	57.6	175.5	18,000	59.7	175.5	18,400	61.4	173.3	16,000*		
	30	120	54.2	168.7	15,600	56.2	168.8	16,000	57.8	166.5	15,400*		
	30	130	50.6	161.0	13,600	52.6	161.0	13,900	54.1	158.6	14,200		
	30	140	46.7	152.2	11,900	48.7	152.2	12,200	50.2	149.6	12,400		
	30	150	42.7	142.1	10,400	44.6	142.1	10,700					
	30	160	38.3	130.3	9,200	40.2	130.3	9,400					
	30	170	33.4	116.4	8,100	35.2	116.3	8,300					
30	180	27.7	99.5	7,100									
170' (51.82 m)	40	40	79.8	213.3	26,700*								
	40	50	77.1	211.2	26,000*	79.8	210.7	23,500*					
	40	60	74.2	208.5	25,200*	77.0	208.1	22,400*	79.5	205.6	17,100*		
	40	70	71.4	205.4	24,400*	74.1	205.0	21,100*	76.6	202.5	16,000*		
	40	80	68.5	201.7	23,700*	71.2	201.4	19,800*	73.6	198.8	15,200*		
	40	90	65.5	197.4	22,600*	68.2	197.2	18,500*	70.5	194.5	14,400*		
	40	100	62.5	192.4	20,500*	65.2	192.3	17,200*	67.4	189.6	13,600*		
	40	110	59.4	186.8	18,100	62.0	186.7	16,100*	64.2	183.9	12,600*		
	40	120	56.1	180.4	15,700	58.8	180.4	15,000*	60.9	177.5	11,800*		
	40	130	52.8	173.2	13,700	55.4	173.2	14,000*	57.4	170.2	11,400*		
	40	140	49.3	165.1	12,100	51.8	165.1	12,400	53.8	161.8	11,000*		
	40	150	45.6	155.8	10,600	48.1	155.8	10,900	49.9	152.3	10,500*		
	40	160	41.6	145.2	9,400	44.1	145.2	9,600					
	40	170	37.3	133.0	8,300	39.7	132.9	8,500					
40	180	32.5	118.6	7,300	34.9	118.4	7,500						
40	190	27.0	101.1	6,400									
170' (51.82 m)	50	50	77.7	221.4	23,400*								
	50	60	75.0	218.9	22,700*	78.3	218.4	20,200*					
	50	70	72.3	215.8	22,000*	75.5	215.5	18,700*	78.5	212.4	13,100*		
	50	80	69.5	212.3	20,500*	72.8	212.0	17,200*	75.7	209.0	12,000*		
	50	100	63.8	203.5	17,500*	67.0	203.4	14,100*	69.8	200.3	10,500*		

Link-Belt (Truck Mount) Lattice Boom Truck Crane (LBT)

Boom Length (feet)	Jib Length (feet)	Jib Load Radius (feet)	Jib Angle to Boom								
			0 Degrees			15 Degrees			30 Degrees		
			Boom Angle (degree)	Jib Pt. Height (feet)	Jib Capacity (lbs.)	Boom Angle (degree)	Jib Pt. Height (feet)	Jib Capacity (lbs.)	Boom Angle (degree)	Jib Pt. Height (feet)	Jib Capacity (lbs.)
170' (51.82 m)	50	110	60.9	198.2	16,300*	64.1	198.2	12,500*	66.8	194.9	9,700*
	50	120	57.9	192.2	15,100*	61.0	192.2	11,600*	63.7	188.9	8,900*
	50	130	54.7	185.5	13,900	57.9	185.5	10,800*	60.4	182.1	8,400*
	50	140	51.5	177.9	12,200	54.6	178.0	10,000*	57.0	174.3	8,000*
	50	150	48.1	169.4	10,700	51.1	169.5	9,100*	53.5	165.6	7,600*
	50	160	44.5	159.7	9,500	47.5	159.8	8,400*	49.7	155.6	7,200*
	50	170	40.6	148.8	8,400	43.6	148.8	8,000*			
	50	180	36.4	136.1	7,400	39.3	136.1	7,500*			
	50	190	31.8	121.3	6,600	34.6	121.1	6,800			
170' (51.82 m)	60	50	78.2	231.7	21,200*						
	60	60	75.6	229.3	20,500*	79.4	228.9	18,300*			
	60	70	73.1	226.5	19,800*	76.8	226.1	17,200*			
	60	80	70.4	223.1	18,100*	74.2	222.9	15,600*	77.6	219.5	9,600*
	60	90	67.8	219.2	16,600*	71.5	219.1	14,000*	74.8	215.7	8,600*
	60	100	65.0	214.8	15,200*	68.8	214.8	12,300*	72.0	211.3	8,100*
	60	110	62.3	209.8	14,100*	66.0	209.9	10,600*	69.1	206.3	7,500*
	60	120	59.4	204.2	13,000*	63.1	204.3	8,900*	66.2	200.7	6,900*
	60	130	56.5	197.9	12,100*	60.1	198.1	8,300*	63.1	194.3	6,300*
	60	140	53.4	190.8	10,300*	57.0	191.0	7,700*	60.0	187.1	5,800*
	60	150	50.3	182.9	8,800*	53.8	183.2	7,100*	56.7	179.0	5,600*
	60	160	46.9	174.0	8,100*	50.5	174.3	6,400*	53.2	169.8	5,400*
	60	170	43.4	164.0	7,400*	46.9	164.3	5,900*	49.5	159.4	5,100*
	60	180	39.7	152.7	6,700*	43.1	152.9	5,600*			
	60	190	35.6	139.7	5,900*	38.9	139.8	5,300*			
60	200	31.0	124.4	5,600*	34.3	124.3	5,000*				
60	210	25.8	105.9	5,200							
170' (51.82 m)	70	50	78.7	242.1	18,600*						
	70	60	76.2	239.9	17,900*						
	70	70	73.8	237.2	17,300*	78.0	237.0	15,200*			
	70	80	71.3	234.1	16,200*	75.5	234.0	14,200*	79.3	230.4	9,500*
	70	90	68.7	230.4	14,700*	72.9	230.4	13,000*	76.7	226.9	8,500*
	70	100	66.1	226.3	13,500*	70.3	226.4	11,800*	74.0	222.8	7,700*
	70	110	63.5	221.6	12,400*	67.7	221.8	10,500*	71.3	218.1	7,100*
	70	120	60.8	216.3	11,400*	64.9	216.6	9,300*	68.5	212.8	6,600*
	70	130	58.0	210.4	10,500*	62.1	210.7	7,900*	65.6	206.8	6,000*
	70	140	55.2	203.8	9,700*	59.3	204.2	7,400*	62.6	200.1	5,400*
	70	150	52.2	196.4	8,900*	56.3	196.9	6,800*	59.6	192.6	4,900*
	70	160	49.1	188.2	7,800*	53.1	188.7	6,100*	56.3	184.1	4,500*
	70	170	45.9	179.0	7,100*	49.9	179.6	5,500*	52.9	174.6	4,100*
	70	180	42.5	168.7	6,400*	46.4	169.3	4,900*	49.3	163.8	3,600*
	70	190	38.8	157.1	5,700*	42.6	157.5	4,600*			
70	200	34.8	143.7	4,900*	38.6	144.0	4,400*				
70	210	30.4	128.1	4,600*	34.0	128.1	4,100*				
70	220	25.3	109.1	4,300*							
190' (57.91 m)	30	50	77.7	221.6	29,300*	79.6	221.3	26,500*			
	30	60	75.0	219.2	28,600*	76.9	218.9	25,700*	78.7	216.9	21,200*
	30	70	72.3	216.2	27,800*	74.2	216.0	25,000*	75.9	214.0	20,000*
	30	80	69.5	212.7	27,000*	71.4	212.5	24,200*	73.1	210.6	19,000*
	30	90	66.7	208.7	23,700	68.6	208.6	23,500*	70.3	206.5	18,100*
	30	100	63.8	204.1	20,300	65.7	204.0	20,900	67.3	201.9	17,300*
	30	110	60.9	198.8	17,400	62.8	198.7	17,900	64.3	196.6	16,600*
30	120	57.9	192.9	15,000	59.7	192.8	15,400	61.2	190.6	15,800	

Tubular Jib Capacities - 360° Rotation - "ABC" + "A" Counterweights

Boom Length (feet)	Jib Length (feet)	Jib Load Radius (feet)	Jib Angle to Boom								
			0 Degrees			15 Degrees			30 Degrees		
			Boom Angle (degree)	Jib Pt. Height (feet)	Jib Capacity (lbs.)	Boom Angle (degree)	Jib Pt. Height (feet)	Jib Capacity (lbs.)	Boom Angle (degree)	Jib Pt. Height (feet)	Jib Capacity (lbs.)
190' (57.91 m)	30	130	54.7	186.2	13,000	56.6	186.2	13,400	58.0	183.9	13,700
	30	140	51.5	178.7	11,300	53.3	178.7	11,600	54.7	176.2	11,900
	30	150	48.1	170.2	9,900	49.9	170.2	10,200	51.2	167.6	10,400
	30	160	44.5	160.6	8,600	46.2	160.6	8,900	47.5	157.7	9,000
	30	170	40.6	149.7	7,500	42.4	149.6	7,700			
	30	180	36.4	137.1	6,500	38.1	136.9	6,700			
	30	190	31.8	122.3	5,700	33.4	122.0	5,800			
	30	200	26.4	104.3	4,900						
190' (57.91 m)	40	50	78.2	231.7	26,300*						
	40	60	75.6	229.3	25,600*	78.2	228.8	22,900*			
	40	70	73.1	226.4	24,900*	75.6	226.0	21,800*	77.8	223.4	16,400*
	40	80	70.4	223.1	24,200*	72.9	222.7	20,600*	75.1	220.1	15,600*
	40	90	67.8	219.2	23,400*	70.2	218.9	19,400*	72.4	216.3	14,800*
	40	100	65.0	214.8	20,500	67.5	214.5	18,200*	69.6	211.8	14,100*
	40	110	62.3	209.7	17,500	64.7	209.6	17,000*	66.8	206.8	13,400*
	40	120	59.4	204.1	15,100	61.8	204.0	15,700	63.8	201.2	12,400*
	40	130	56.5	197.8	13,100	58.9	197.7	13,700	60.8	194.8	11,400*
	40	140	53.4	190.7	11,500	55.8	190.7	11,900	57.7	187.6	10,100*
	40	150	50.3	182.8	10,000	52.6	182.8	10,400	54.4	179.5	9,000*
	40	160	46.9	173.9	8,800	49.3	173.9	9,100	51.0	170.5	8,200*
	40	170	43.4	163.9	7,700	45.7	163.9	8,000	47.3	160.2	7,300*
	40	180	39.7	152.6	6,700	41.9	152.5	7,000			
	40	190	35.6	139.6	5,800	37.8	139.4	6,100			
	40	200	31.0	124.3	5,100						
40	210	25.8	105.8	4,400							
190' (57.91 m)	50	50	78.7	241.8	23,700*						
	50	60	76.2	239.5	23,100*	79.3	239.0	20,700*			
	50	70	73.8	236.8	22,400*	76.8	236.3	19,400*	79.5	233.2	13,600*
	50	80	71.3	233.6	20,500*	74.3	233.2	18,100*	76.9	230.1	12,300*
	50	90	68.7	229.9	18,900*	71.7	229.6	16,700*	74.3	226.4	11,600*
	50	100	66.1	225.7	17,600*	69.1	225.4	15,200*	71.7	222.2	11,000*
	50	110	63.5	220.9	16,300*	66.5	220.7	13,800*	69.0	217.5	10,300*
	50	120	60.8	215.5	15,200*	63.7	215.4	12,300*	66.2	212.1	9,600*
	50	130	58.0	209.6	13,300	60.9	209.5	11,600*	63.3	206.1	8,800*
	50	140	55.2	202.9	11,600	58.1	202.9	10,900*	60.4	199.4	8,000*
	50	150	52.2	195.5	10,100	55.1	195.5	10,100*	57.3	191.8	7,100*
	50	160	49.1	187.2	8,900	52.0	187.3	9,300	54.1	183.4	6,400*
	50	170	45.9	178.0	7,800	48.7	178.1	8,200	50.7	173.9	5,700*
	50	180	42.5	167.7	6,800	45.2	167.7	7,200			
	50	190	38.8	155.9	6,000	41.5	155.9	6,300			
	50	200	34.8	142.5	5,200	37.5	142.4	5,400			
50	210	30.4	126.8	4,500							
50	220	25.3	107.8	3,900							
190' (57.91 m)	60	50	79.2	252.1	21,400*						
	60	60	76.8	249.9	20,800*						
	60	70	74.4	247.3	19,800*	77.9	246.9	17,400*			
	60	80	72.0	244.3	18,100*	75.5	243.9	16,100*	78.6	240.5	10,200*
	60	90	69.6	240.7	16,700*	73.1	240.5	14,900*	76.2	237.0	8,900*
	60	100	67.2	236.7	15,400*	70.6	236.6	13,400*	73.6	233.1	8,400*
	60	110	64.6	232.2	14,200*	68.1	232.1	11,900*	71.0	228.6	7,900*
	60	120	62.1	227.2	13,100*	65.5	227.2	10,300*	68.4	223.5	7,300*
	60	130	59.5	221.5	12,200*	62.8	221.6	8,900*	65.7	217.8	6,800*
60	140	56.8	215.2	11,400*	60.1	215.4	8,300*	62.9	211.5	6,200*	

Link-Belt (Truck Mount) Lattice Boom Truck Crane (LBT)

Boom Length (feet)	Jib Length (feet)	Jib Load Radius (feet)	Jib Angle to Boom								
			0 Degrees			15 Degrees			30 Degrees		
			Boom Angle (degree)	Jib Pt. Height (feet)	Jib Capacity (lbs.)	Boom Angle (degree)	Jib Pt. Height (feet)	Jib Capacity (lbs.)	Boom Angle (degree)	Jib Pt. Height (feet)	Jib Capacity (lbs.)
190' (57.91 m)	60	150	54.0	208.3	10,200	57.3	208.5	7,800*	60.0	204.4	5,700*
	60	160	51.1	200.6	8,900*	54.4	200.8	7,200*	57.0	196.5	5,100*
	60	170	48.1	192.0	7,900	51.3	192.2	6,600*	53.8	187.7	4,500*
	60	180	44.9	182.5	6,900	48.1	182.7	5,900*	50.5	177.8	4,100*
	60	190	41.6	171.8	6,100	44.7	172.0	5,700*	47.0	166.7	3,700*
	60	200	38.0	159.7	5,300	41.1	159.8	5,500*			
	60	210	34.1	145.9	4,600	37.1	145.9	4,900			
	60	220	29.8	129.8	4,000						
	60	230	24.7	110.4	3,400						
190' (57.91 m)	70	50	79.6	262.5	18,800*						
	70	60	77.3	260.4	18,200*						
	70	70	75.1	258.0	17,600*	79.0	257.7	15,400*			
	70	80	72.8	255.1	16,300*	76.7	254.9	14,300*			
	70	90	70.4	251.8	14,800*	74.3	251.7	13,200*	77.8	248.0	9,000*
	70	100	68.1	248.0	13,600*	71.9	248.0	12,200*	75.4	244.2	7,900*
	70	110	65.7	243.7	12,500*	69.5	243.8	11,300*	72.9	240.0	7,400*
	70	120	63.2	238.9	11,500*	67.1	239.1	10,200*	70.4	235.2	6,800*
	70	130	60.7	233.6	10,600*	64.6	233.8	9,100*	67.8	229.9	5,900*
	70	140	58.2	227.7	9,900*	62.0	228.0	7,900*	65.2	223.9	5,200*
	70	150	55.6	221.2	9,100*	59.3	221.5	7,400*	62.4	217.3	4,600*
	70	160	52.8	213.9	8,500*	56.6	214.4	6,800*	59.6	209.9	4,100*
	70	170	50.0	206.0	7,900*	53.7	206.4	6,300*	56.6	201.7	3,600*
	70	180	47.1	197.1	7,000	50.7	197.6	5,700*	53.6	192.6	3,300*
	70	190	44.0	187.3	6,100	47.6	187.8	5,000*	50.3	182.4	2,900*
	70	200	40.7	176.3	5,400	44.3	176.7	4,800*	46.8	170.8	2,700*
		70	210	37.2	164.0	4,700	40.7	164.3	4,400*		
	70	220	33.4	149.8	4,100	36.8	150.0	4,100*			
	70	230	29.2	133.4	3,500	32.5	133.2	3,700			
	70	240	24.3	113.5	3,000						
210' (64.01 m)	30	50	78.7	242.1	29,600*						
	30	60	76.2	239.8	28,900*	78.1	239.5	26,000*	79.7	237.5	21,600*
	30	70	73.8	237.1	28,200*	75.6	236.9	25,300*	77.2	234.9	20,500*
	30	80	71.3	234.0	26,500*	73.1	233.7	24,700*	74.6	231.8	19,500*
	30	90	68.7	230.3	23,100	70.5	230.1	22,700*	72.0	228.1	18,600*
	30	100	66.1	226.1	19,700	67.9	226.0	19,400*	69.4	224.0	16,900*
	30	110	63.5	221.4	16,800	65.3	221.3	17,400	66.7	219.2	15,000*
	30	120	60.8	216.1	14,400	62.6	216.1	14,900	64.0	213.9	13,100*
	30	130	58.0	210.2	12,400	59.8	210.2	12,800	61.1	207.9	11,700*
	30	140	55.2	203.6	10,700	56.9	203.6	11,100	58.2	201.2	10,500*
	30	150	52.2	196.2	9,300	53.9	196.2	9,600	55.2	193.8	9,400*
	30	160	49.1	188.0	8,000	50.8	188.0	8,300	52.0	185.4	8,500
	30	170	45.9	178.8	6,900	47.5	178.8	7,200	48.7	176.1	7,400
	30	180	42.5	168.5	5,900	44.1	168.5	6,200			
	30	190	38.8	156.9	5,100	40.4	156.8	5,300			
30	200	34.8	143.5	4,300	36.4	143.3	4,500				
	30	210	30.4	127.8	3,600						
	30	220	25.3	108.9	3,000						
210' (64.01 m)	40	50	79.2	252.1	26,500*						
	40	60	76.8	249.9	25,900*	79.1	249.4	23,300*			
	40	70	74.4	247.3	25,300*	76.8	246.8	22,300*	78.8	244.2	16,700*
	40	80	72.0	244.2	24,600*	74.3	243.8	21,000*	76.4	241.2	15,900*
	40	90	69.6	240.7	21,000*	71.9	240.3	19,500*	73.9	237.7	15,200*
	40	100	67.2	236.7	18,900*	69.4	236.4	17,400*	71.4	233.7	14,300*
	40	110	64.6	232.2	16,900	66.9	231.9	15,400*	68.8	229.2	12,500*

Tubular Jib Capacities - 360° Rotation - "ABC" + "A" Counterweights

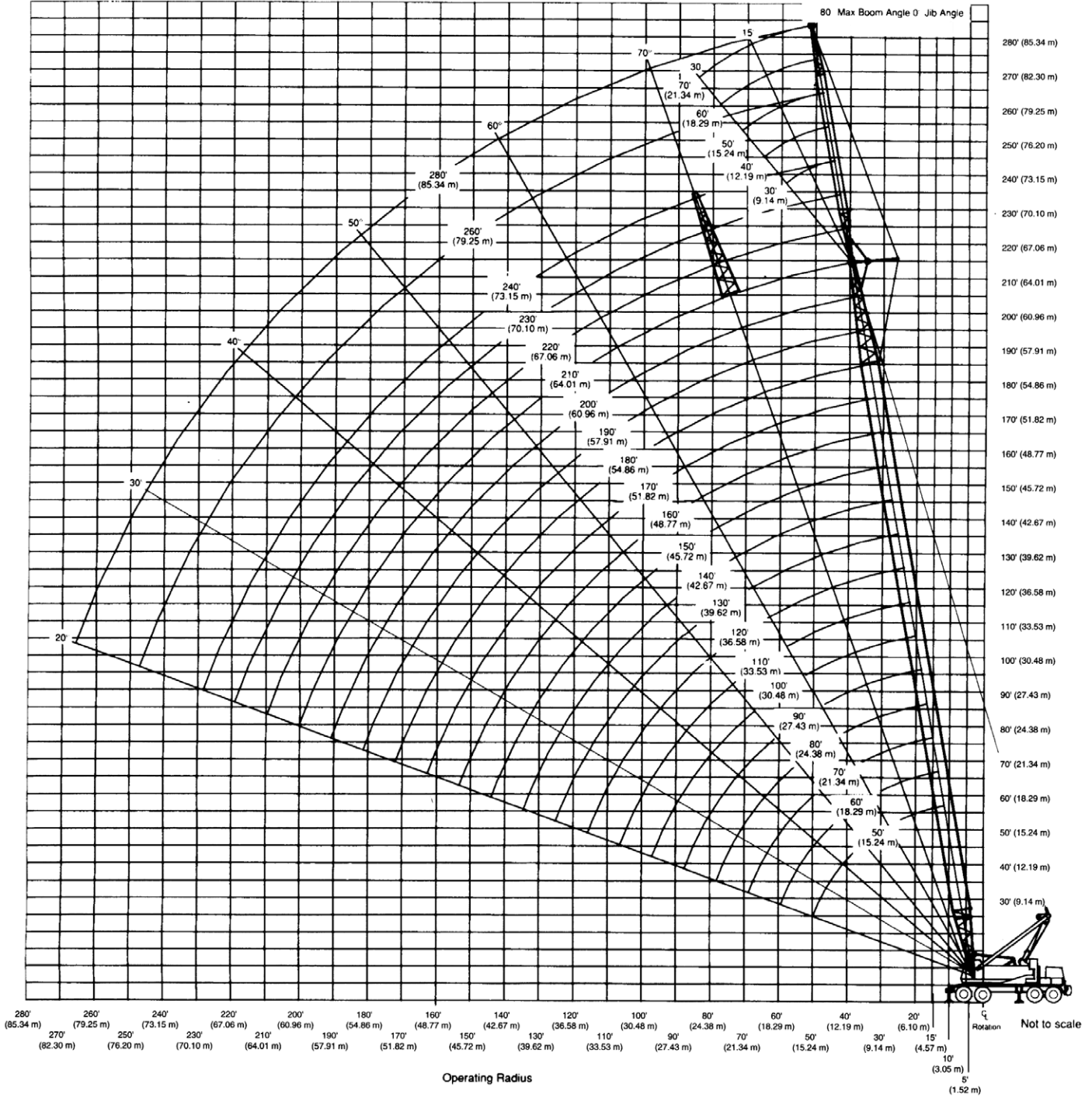
Boom Length (feet)	Jib Length (feet)	Jib Load Radius (feet)	Jib Angle to Boom								
			0 Degrees			15 Degrees			30 Degrees		
			Boom Angle (degree)	Jib Pt. Height (feet)	Jib Capacity (lbs.)	Boom Angle (degree)	Jib Pt. Height (feet)	Jib Capacity (lbs.)	Boom Angle (degree)	Jib Pt. Height (feet)	Jib Capacity (lbs.)
210' <i>(64.01 m)</i>	40	120	62.1	227.1	14,500	64.3	226.9	14,000*	66.2	224.1	11,000*
	40	130	59.5	221.4	12,500	61.7	221.3	12,500*	63.5	218.4	9,700*
	40	140	56.8	215.2	10,900	59.0	215.1	11,200*	60.7	212.1	8,600*
	40	150	54.0	208.2	9,400	56.2	208.1	9,900	57.9	205.0	7,800*
	40	160	51.1	200.5	8,100	53.3	200.4	8,600	54.9	197.2	6,900*
	40	170	48.1	191.9	7,100	50.2	191.9	7,400	51.8	188.4	6,200*
	40	180	44.9	182.4	6,100	47.0	182.3	6,400	48.5	178.6	5,600*
	40	190	41.6	171.7	5,200	43.7	171.6	5,500			
	40	200	38.0	159.6	4,500	40.0	159.5	4,700			
	40	210	34.1	145.8	3,800	36.1	145.6	4,000			
	40	220	29.8	129.7	3,100						
	40	230	24.7	110.2	2,600						
210' <i>(64.01 m)</i>	50	50	79.6	262.2	24,000*						
	50	60	77.3	260.1	23,400*						
	50	70	75.1	257.6	22,700*	77.8	257.0	19,500*			
	50	80	72.8	254.6	20,300*	75.5	254.2	18,200*	78.0	251.0	12,800*
	50	90	70.4	251.3	18,800*	73.2	250.9	16,900*	75.6	247.7	12,000*
	50	100	68.1	247.4	17,300*	70.8	247.1	15,700*	73.2	243.9	11,400*
	50	110	65.7	243.1	15,700*	68.4	242.8	14,000*	70.8	239.6	10,400*
	50	120	63.2	238.2	14,000*	66.0	238.1	12,500*	68.3	234.7	8,900*
	50	130	60.7	232.9	12,700	63.4	232.7	11,000*	65.7	229.3	7,900*
	50	140	58.2	226.9	11,000	60.9	226.8	9,900*	63.1	223.3	7,100*
	50	150	55.6	220.3	9,500	58.2	220.3	8,800*	60.3	216.7	6,200*
	50	160	52.8	213.1	8,300	55.5	213.1	7,900*	57.5	209.3	5,600*
	50	170	50.0	205.0	7,200	52.6	205.0	7,100*	54.6	201.1	5,000*
	50	180	47.1	196.1	6,200	49.7	196.2	6,500*	51.6	192.0	4,400*
	50	190	44.0	186.3	5,300	46.5	186.3	5,700	48.3	181.8	4,000*
	50	200	40.7	175.2	4,600	43.2	175.2	4,900			
	50	210	37.2	162.8	3,900	39.7	162.7	4,200			
50	220	33.4	148.6	3,300	35.8	148.4	3,500				
50	230	29.2	132.1	2,700							
50	240	24.3	112.2	2,200							
210' <i>(64.01 m)</i>	60	50	80.0	272.5	21,600*						
	60	60	77.8	270.5	21,100*						
	60	70	75.6	268.1	19,600*	78.9	267.5	17,200*			
	60	80	73.4	265.2	18,000*	76.6	264.8	16,000*	79.5	261.3	10,800*
	60	90	71.2	262.0	16,500*	74.4	261.7	14,800*	77.3	258.1	9,400*
	60	100	68.9	258.3	15,200*	72.1	258.1	13,800*	74.9	254.5	8,600*
	60	110	66.6	254.2	14,100*	69.8	254.0	12,400*	72.6	250.4	8,200*
	60	120	64.3	249.6	12,900*	67.5	249.5	10,900*	70.2	245.8	7,400*
	60	130	61.9	244.5	11,500*	65.1	244.5	9,700*	67.7	240.7	6,500*
	60	140	59.5	238.8	10,400*	62.6	238.9	8,600*	65.2	235.0	5,700*
	60	150	57.0	232.6	9,300*	60.1	232.7	7,800*	62.6	228.7	5,100*
	60	160	54.4	225.7	8,400	57.5	225.9	6,900*	60.0	221.7	4,500*
	60	170	51.8	218.2	7,300	54.8	218.4	6,300*	57.2	214.0	4,000*
	60	180	49.0	209.9	6,300	52.0	210.1	5,700*	54.4	205.5	3,600*
	60	190	46.2	200.7	5,400	49.1	200.9	5,100*	51.3	196.0	3,300*
	60	200	43.1	190.5	4,700	46.1	190.7	4,700*	48.2	185.5	2,900*
	60	210	39.9	179.2	4,000	42.8	179.3	4,300*			
60	220	36.5	166.4	3,400	39.4	166.5	3,700				
60	230	32.8	151.9	2,800	35.5	151.7	3,100				
60	240	28.6	135.0	2,300							
210' <i>(64.01 m)</i>	70	60	78.2	280.9	18,500*						
	70	70	76.1	278.6	17,700*	79.8	278.2	15,400*			

Boom Length (feet)	Jib Length (feet)	Jib Load Radius (feet)	Jib Angle to Boom								
			0 Degrees			15 Degrees			30 Degrees		
			Boom Angle (degree)	Jib Pt. Height (feet)	Jib Capacity (lbs.)	Boom Angle (degree)	Jib Pt. Height (feet)	Jib Capacity (lbs.)	Boom Angle (degree)	Jib Pt. Height (feet)	Jib Capacity (lbs.)
210' (64.01 m)	70	80	74.0	276.0	16,100*	77.7	275.7	14,200*			
	70	90	71.9	272.9	14,800*	75.5	272.7	13,100*	78.8	268.9	9,300*
	70	100	69.7	269.4	13,600*	73.3	269.3	12,100*	76.5	265.5	8,200*
	70	110	67.5	265.5	12,500*	71.1	265.5	10,800*	74.3	261.6	7,100*
	70	120	65.3	261.1	11,500*	68.9	261.2	9,600*	72.0	257.3	6,100*
	70	130	63.0	256.3	10,600*	66.6	256.4	8,500*	69.6	252.4	5,400*
	70	140	60.7	250.9	9,400*	64.2	251.1	7,600*	67.2	247.0	4,700*
	70	150	58.3	245.0	8,400*	61.8	245.3	6,800*	64.8	241.1	4,100*
	70	160	55.9	238.5	7,600*	59.4	238.9	6,000*	62.2	234.5	3,600*
	70	170	53.4	231.4	6,900*	56.8	231.8	5,500*	59.6	227.3	3,300*
	70	180	50.8	223.6	6,300*	54.2	224.1	4,900*	56.9	219.3	2,900*
	70	190	48.1	215.1	5,500	51.5	215.5	4,500*	54.1	210.5	2,600*
	70	200	45.3	205.6	4,700	48.6	206.1	4,000*	51.1	200.7	2,400*
	70	210	42.3	195.2	4,100	45.6	195.6	3,700*	48.0	189.7	2,100*
	70	220	39.2	183.6	3,400	42.5	183.9	3,400*			
	70	230	35.8	170.6	2,900	39.0	170.7	3,100*			
70	240	32.2	155.7	2,300	35.3	155.7	2,600				

Jib Capacity Notes

- Capacities are shown in pounds and are the maximum allowable. Capacities are based on machine standing level on firm supporting surface under ideal job conditions. Capacities are not more than 85% of the tipping loads unless marked with an asterisk (*).
 - Asterisk indicates capacities are based on factors other than those which would cause a tipping condition.
- Capacities are for 360° swing on five outrigger jacks.
- Capacities are limited to a Link-Belt 62" x 70" (1.57 x 1.78 m) open throat tubular boom, live mast and a Link-Belt 15-ton (13.6 t), 30" x 36" (.76 x .91 m) cross section tubular jib with a 12' 7-5/8" (3.85 m) high jib strut properly assembled.
- Do not swing over side until all four outrigger beams are fully extended, all five jacks are extended, all tires are clear of the ground and machine is properly leveled on a firm supporting surface.
- Two parts of 7/8" (22 mm) diameter type "N" or "RB" wire rope is required for maximum lift.
- Capacities are for 30' (9.14 m), 40' (12.19 m), 50' (15.24 m), 60' (18.29 m), and 70' (21.34 m) jib lengths only.
- A jib cannot be used on the open throat boom that is longer than 210' (64.01 m).
- The least stable condition is over the side.
- A deduction must be made from the jib capacities for weight of hook block, hook, sling, grapple, load weighing devices, etc.
- When using main hook, while jib is attached, reduce boom capacities by the following values:
 - 30' (9.14 m) jib - 2,200 lbs. (998 kg)
 - 40' (12.19 m) jib - 2,500 lbs. (1 134 kg)
 - 50' (15.24 m) jib - 2,900 lbs. (1 315 kg)
 - 60' (18.29 m) jib - 3,200 lbs. (1 452 kg)
 - 70' (21.34 m) jib - 3,500 lbs. (1 588 kg)
- Refer to all notes in applicable Crane Rating Manual in addition to these notes.
- Capacities apply only to the machine as originally manufactured and normally equipped by Link-Belt Construction Equipment Company.

Tube Boom + Jib Working Range



WIRE ROPE CAPACITY CHART

Parts of Line	7/8"		Notes
	Type N	Type RB	
1	22,700	17,520*	Capacities shown are in pounds and working-loads must not exceed the ratings on the capacity charts in this Crane Rating Manual. Study Operator's Manual for wire rope inspection procedures.
2	45,400	35,040	
3	68,100	52,560	
4	90,800	70,080	
5	113,500	87,600	
6	136,200	105,120	
7	158,900	122,640	
8	181,600	140,160	
9	204,300	157,680	
10	227,000	175,200	
11	249,700	192,720	
12	272,400	210,240	
13	295,100	227,760	
14	317,800	245,280	
LBCE Type	Description		
N	6 X 25 (6 X 19 Class) – Filler Wire – Extra Improved Plow Steel – Preformed – I.W.R.C. – Right Lay – Regular Lay – SF = 3.5:1		
RB	19 X 19 Rotation Resistant – Extra Extra Improved Plow Steel – Preformed Right Lay – Regular Lay. Swaged – SF = 5:1		
* Use of swivel end with 1 part of line is not recommended.			